



Installation instructions, accessories

Volvo Car Corporation Gothenburg, Sweden

Instruction No	Version	Part. No.
31470176	1.3	31470821

Parking assistance, pilot



Installation instructions, accessories

Volvo Car Corporation Gothenburg, Sweden

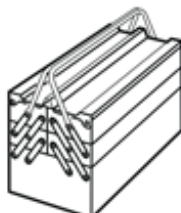

Special tools	
	999 7606 Sleeve Tool number:999 7606 Tool description:Sleeve Tool boards:80
	999 7234 Hole stamp Tool number:999 7234 Tool description:Hole stamp Tool boards:80
	951 2950 Glue gun (kit) Tool number:951 2950 Tool description:Glue gun (kit) Tool boards:08
	981 4203 Expander pliers Tool number:981 4203 Tool description:Expander pliers Tool boards:30
	999 7614 Hole punch Tool number:999 7614 Tool description:Hole punch Tool boards:30
	981 4204 Expander pliers Tool number:981 4204 Tool description:Expander pliers Tool boards:87
	951 2632 Terminal removal tool (Color code: RED) Tool number:951 2632 Tool description:Terminal removal tool (Color code: RED) Tool boards:39



Installation instructions, accessories

Volvo Car Corporation Gothenburg, Sweden

Materials	
Designation	Part number
Isopropanol	
Masking tape	
Bonding primer, plastic	31335448
Sand paper P1000	
Volvo Original Touch-up paint	
Varnish 2-component	31335447
Mixing pipe	1161730
Glue	9511027
Tape	9511083
Electrical tape	
Primer	1161765
Lubricant	1161150

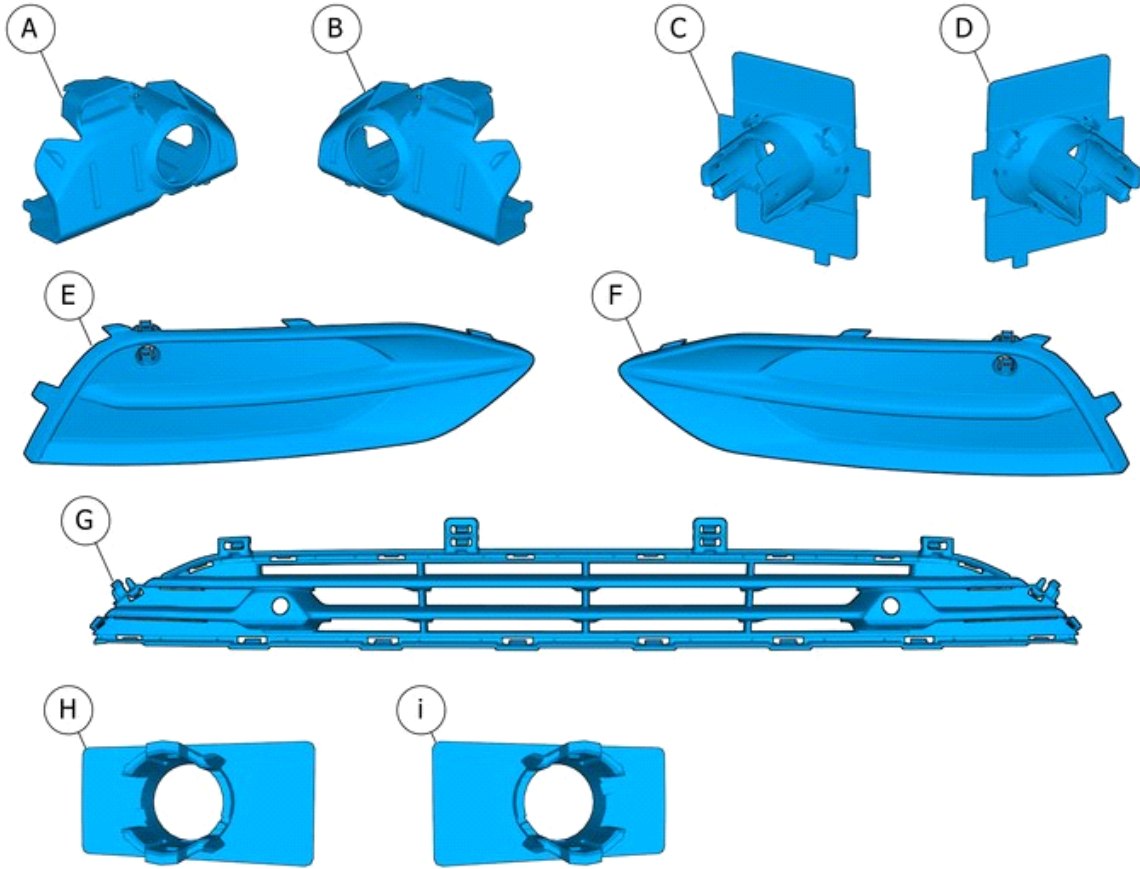
Equipment	
 A0000162	 IMG-239664

Nm
lbf.ft



Installation instructions, accessories

Volvo Car Corporation Gothenburg, Sweden

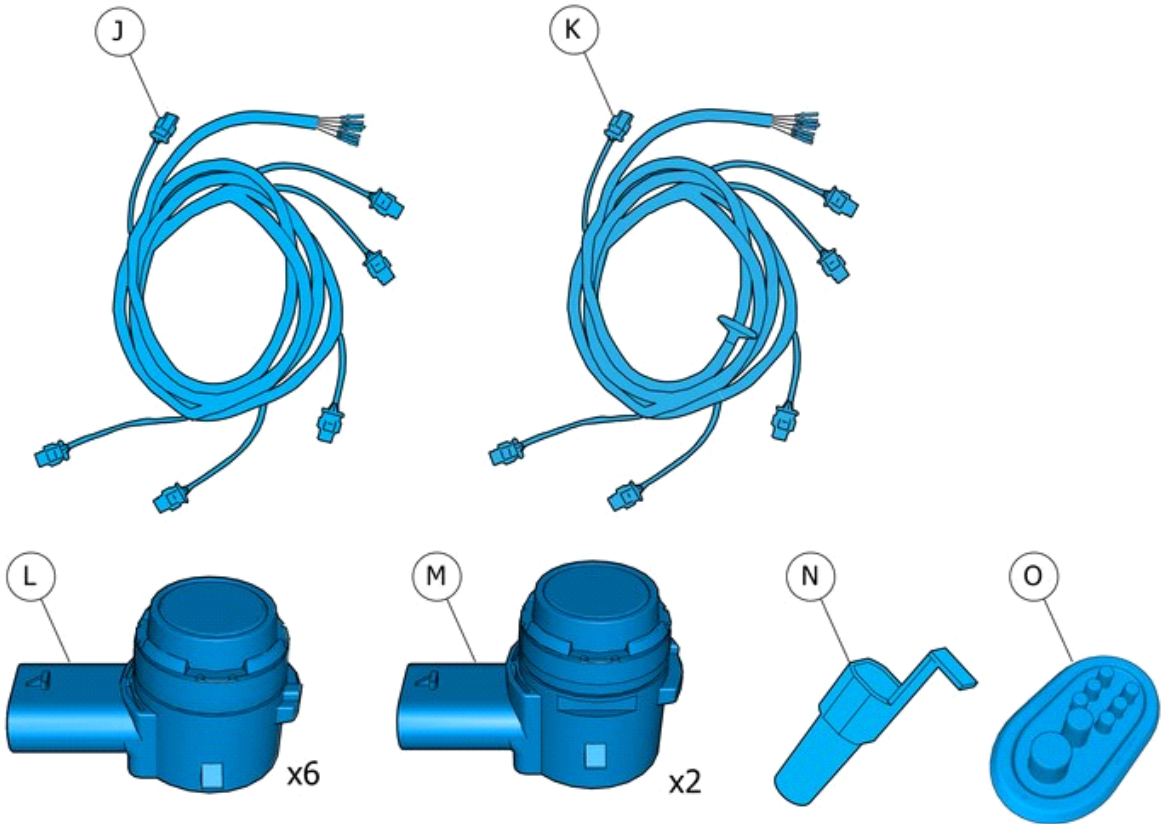


IMG-420385



Installation instructions, accessories

Volvo Car Corporation Gothenburg, Sweden

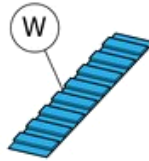
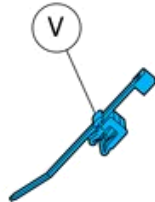
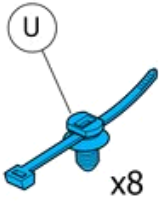
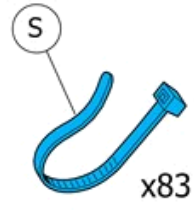
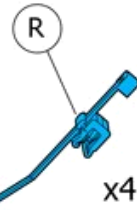
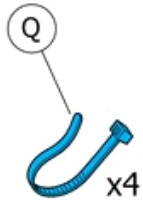
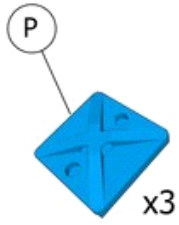


IMG-420479



Installation instructions, accessories

Volvo Car Corporation Gothenburg, Sweden



IMG-420485



Installation instructions, accessories

Volvo Car Corporation Gothenburg, Sweden

Information

1

Read through all of the instructions before starting installation.

Notifications and warning texts are for your safety and to minimise the risk of something breaking during installation.

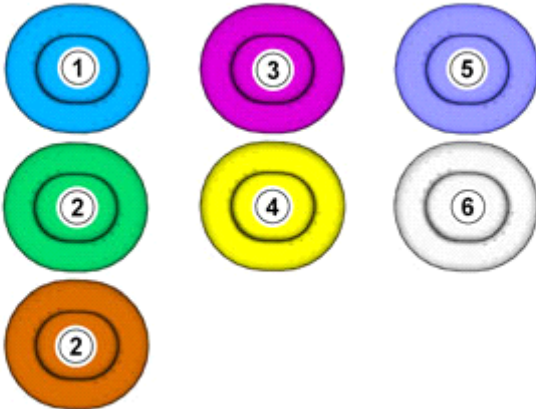
Ensure that all tools stated in the instructions are available before starting installation.

Certain steps in the instructions are only presented in the form of images. Explanatory text is also given for more complicated steps.

In the event of any problems with the instructions or the accessory, contact your local Volvo dealer.

Color symbols

2



IMG-363036

Note!

This colour chart displays (in colour print and electronic version) the importance of the different colours used in the images of the method steps.

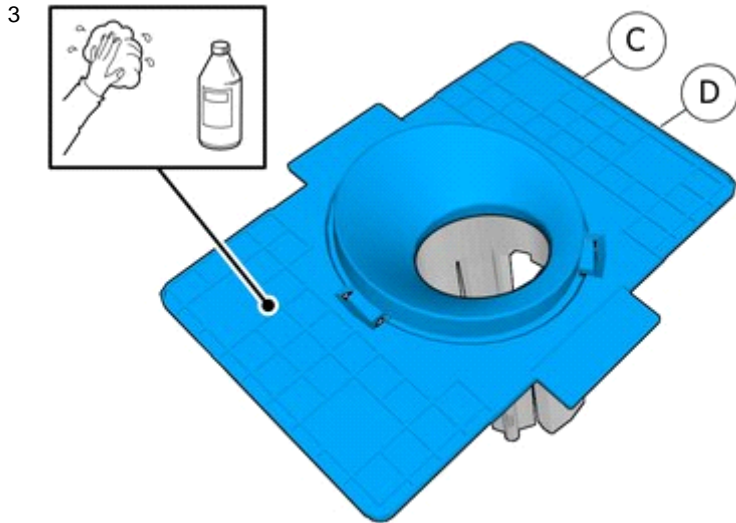
- Used for focused component, the component with which you will do something.
- Used as extra colors when you need to show or differentiate additional parts.
- Used for attachments that are to be removed/installed. May be screws, clips, connectors, etc.
- Used when the component is not fully removed from the vehicle but only hung to the side.
- Used for standard tools and special tools.
- Used as background color for vehicle components.

Paintwork



Installation instructions, accessories

Volvo Car Corporation Gothenburg, Sweden

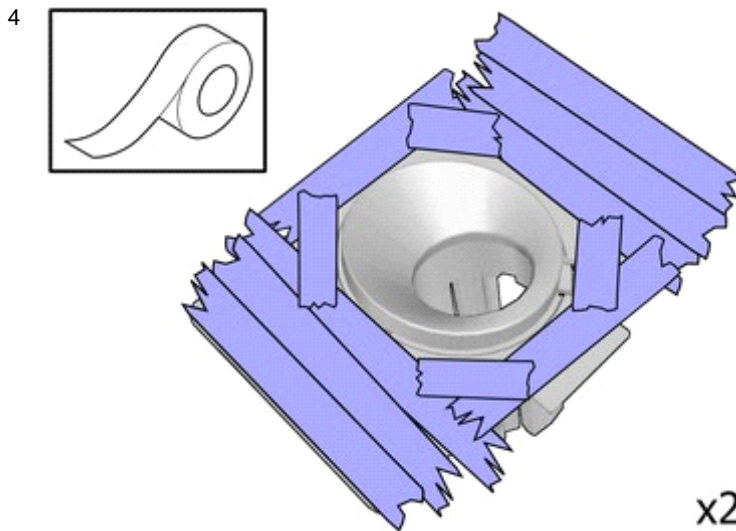


Clean the surface.

Use: , Isopropanol

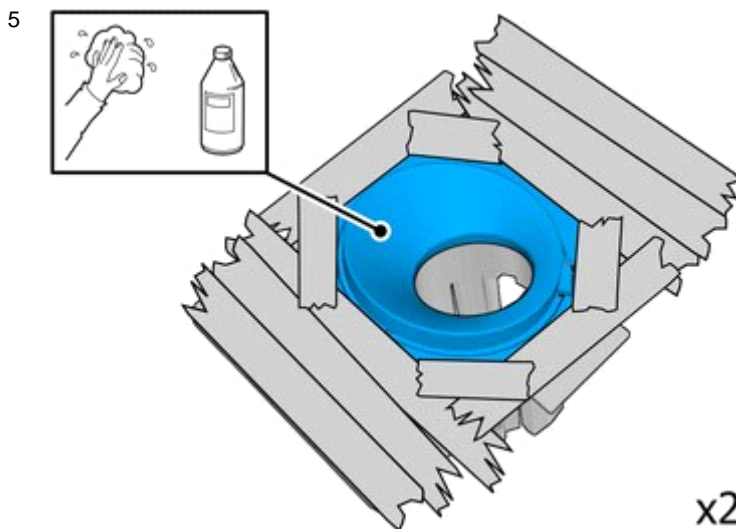
Allow to dry.

IMG-420103



Use: , Masking tape

IMG-420104



Clean the surface.

Use: , Isopropanol

Allow to dry.

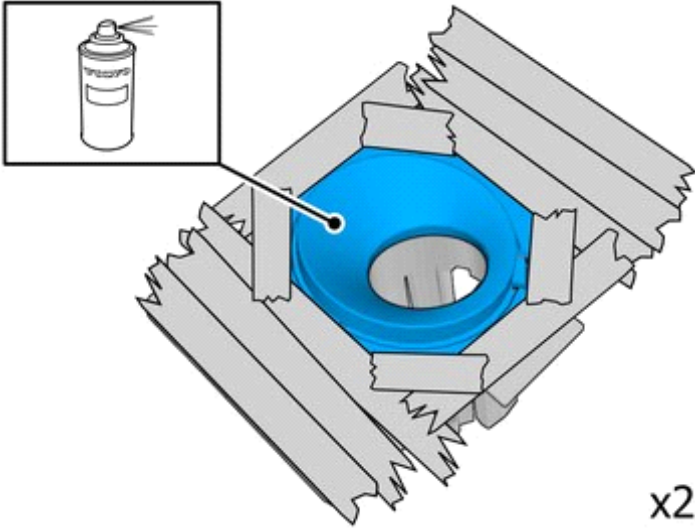
IMG-420131



Installation instructions, accessories

Volvo Car Corporation Gothenburg, Sweden

6

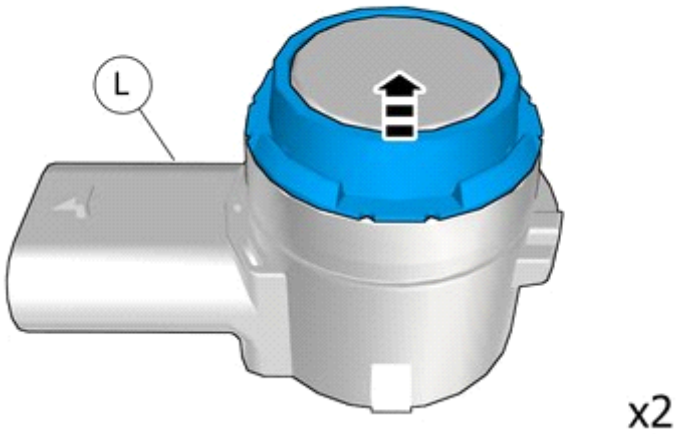


Use: 31335448, Bonding primer, plastic

Also see the instructions on the container.

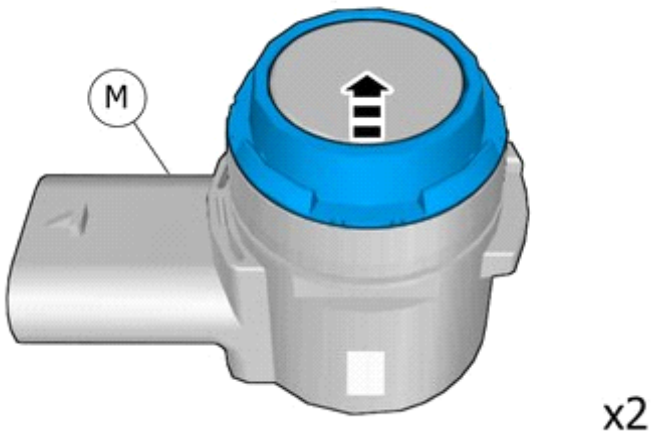
IMG-420130

7



IMG-384372

8



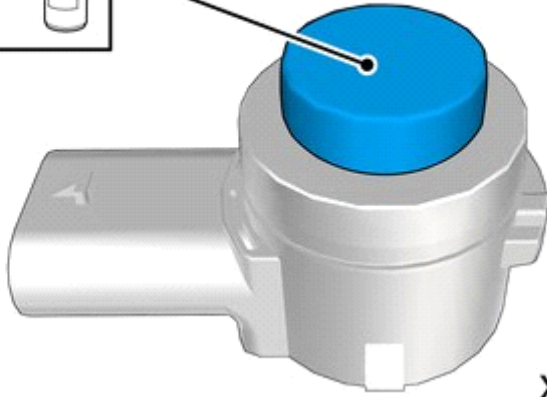
IMG-384853



Installation instructions, accessories

Volvo Car Corporation Gothenburg, Sweden

9



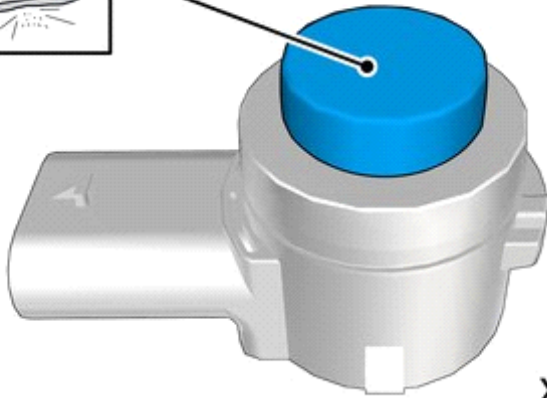
Clean the surface.

Use: , Isopropanol

Allow to dry.

IMG-404275

10



Matt the surface gently.

Use: , Sand paper P1000

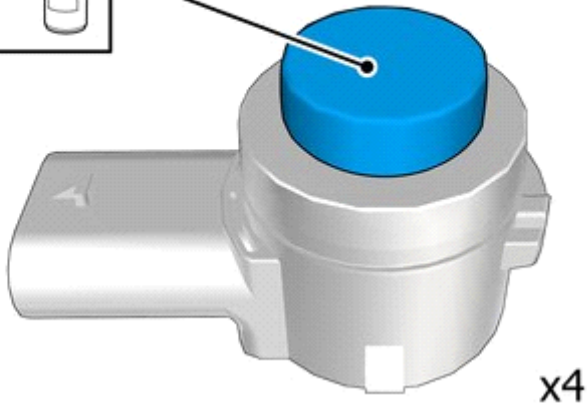
IMG-404276



Installation instructions, accessories

Volvo Car Corporation Gothenburg, Sweden

11



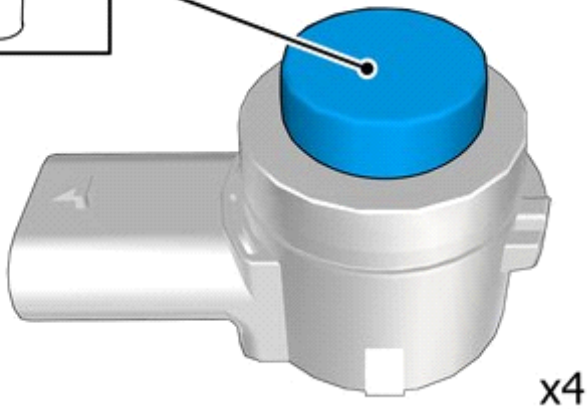
IMG-404275

Clean the surface.

Use: , Isopropanol

Allow to dry.

12



IMG-404278

Caution!

Protect connector surfaces against paint spray.

Note!

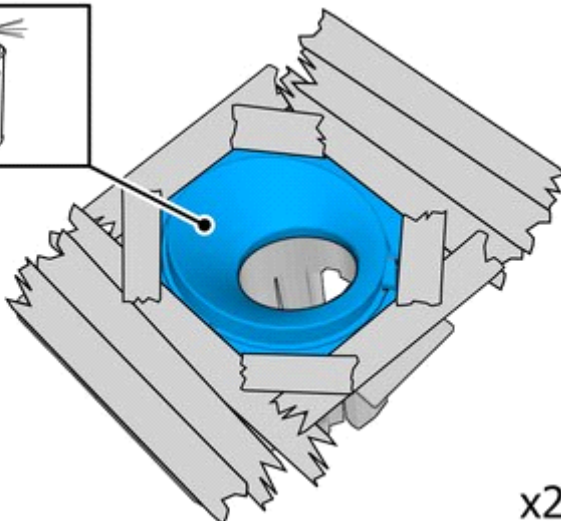
Paint the sensors the same colour code as the vehicle.

Also see the instructions on the container.

Use: , Volvo Original Touch-up paint

Use: 31335447, Varnish 2-component

13



IMG-420130

Note!

Use correct color following the vehicle's paint code.

Use: , Volvo Original Touch-up paint

Use: 31335447, Varnish 2-component

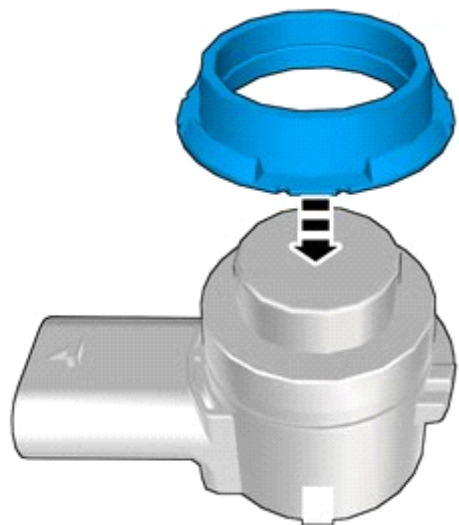
Also see the instructions on the container.



Installation instructions, accessories

Volvo Car Corporation Gothenburg, Sweden

14



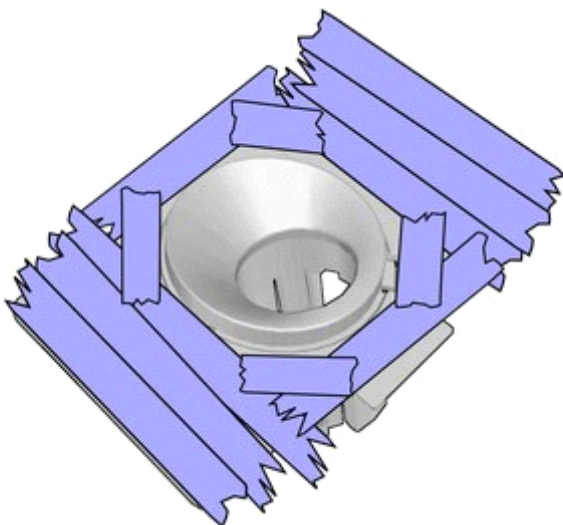
Caution!
First the paint must dry after painting.

x4

IMG-420085

15

Remove the tape.



x2

IMG-420132

Removal



Installation instructions, accessories

Volvo Car Corporation Gothenburg, Sweden

16

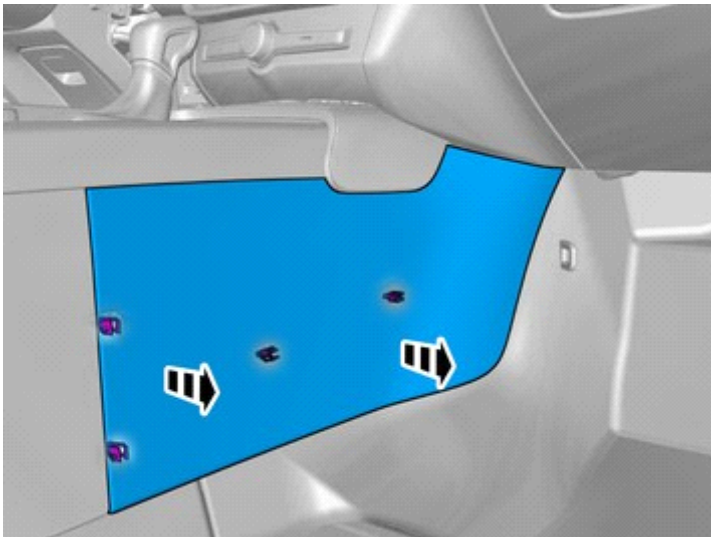


IMG-394535

17

Note!
The removal steps may contain installation details.

18



IMG-414590

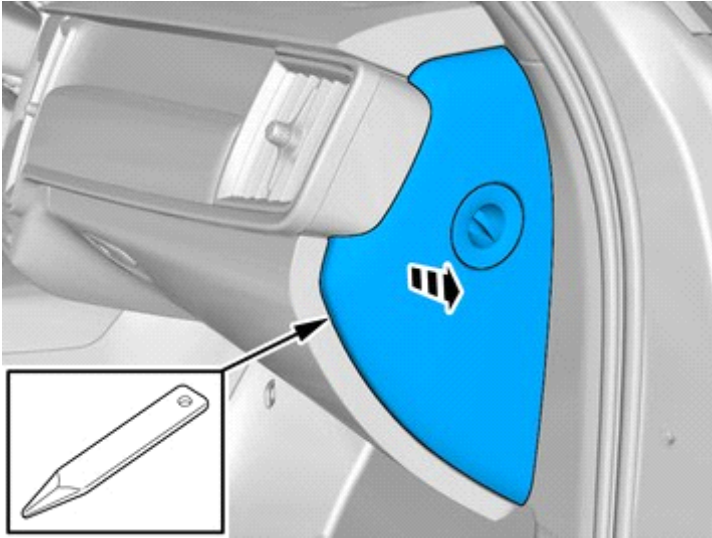
Remove the panel.



Installation instructions, accessories

Volvo Car Corporation Gothenburg, Sweden

19

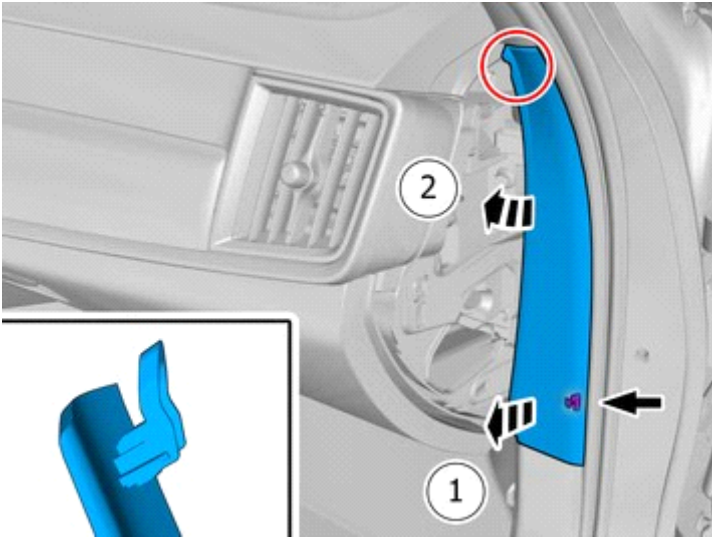


IMG-412242

Remove the panel.

Disconnect the connector, if applicable.

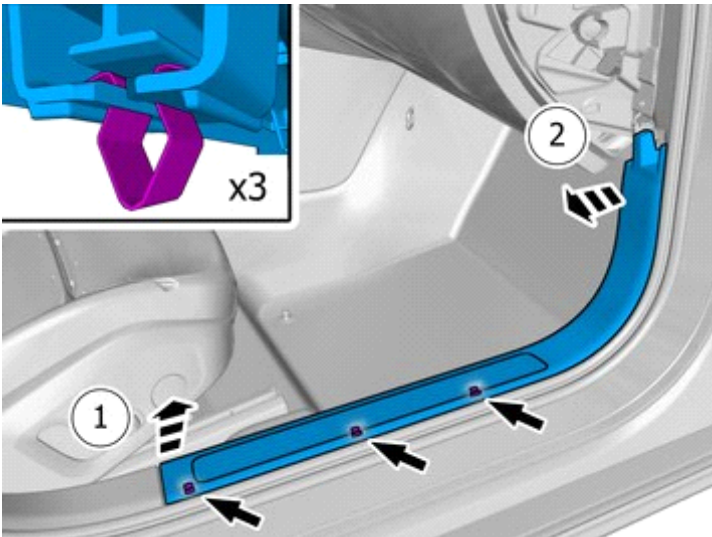
20



IMG-414575

Remove the panel.

21



IMG-414580

Remove the panel.

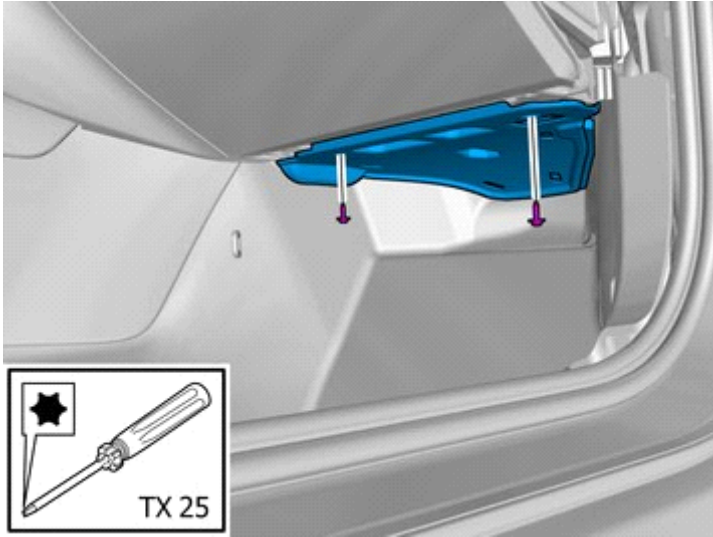
Disconnect the connector, if applicable.



Installation instructions, accessories

Volvo Car Corporation Gothenburg, Sweden

22



IMG-414585

Remove the screws.

Remove the panel.

23

Repeat the steps when removing on opposite side.

IMG-400000

24



IMG-417442



Installation instructions, accessories

Volvo Car Corporation Gothenburg, Sweden

25



IMG-417443

26



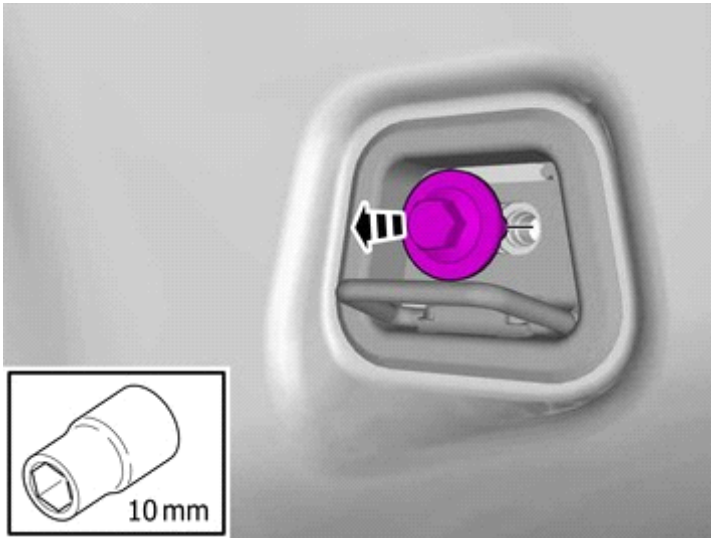
IMG-417446



Installation instructions, accessories

Volvo Car Corporation Gothenburg, Sweden

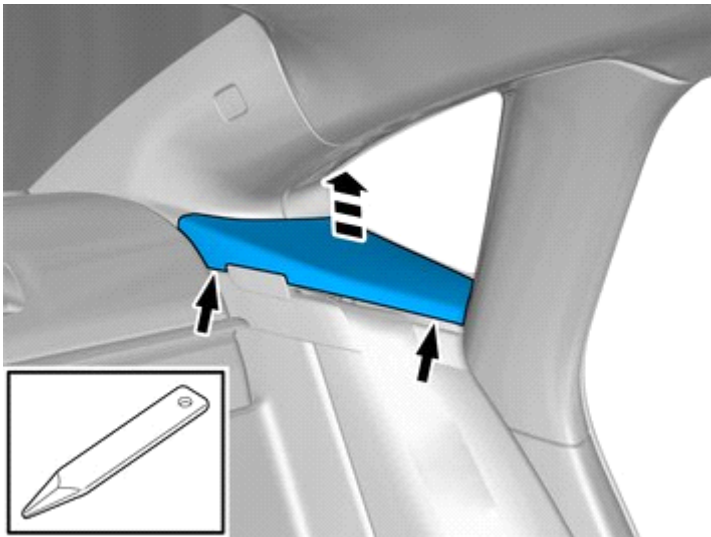
27



IMG-417447

Tightening torque: M8 , 24 Nm

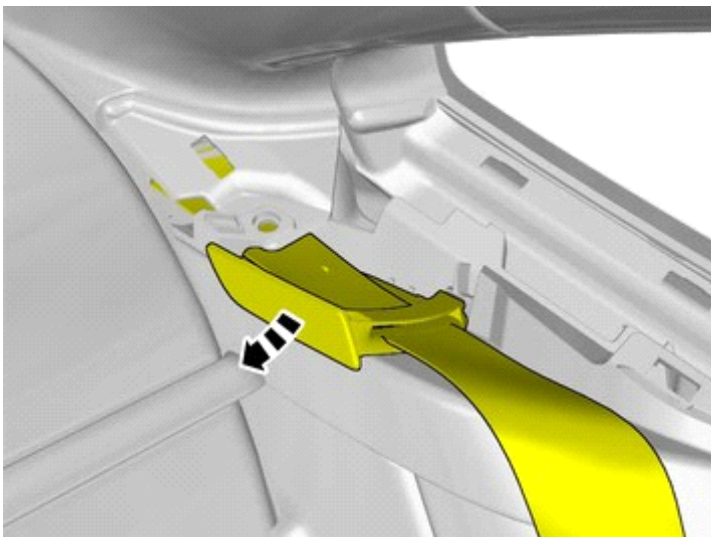
28



IMG-417448

Remove the panel.

29



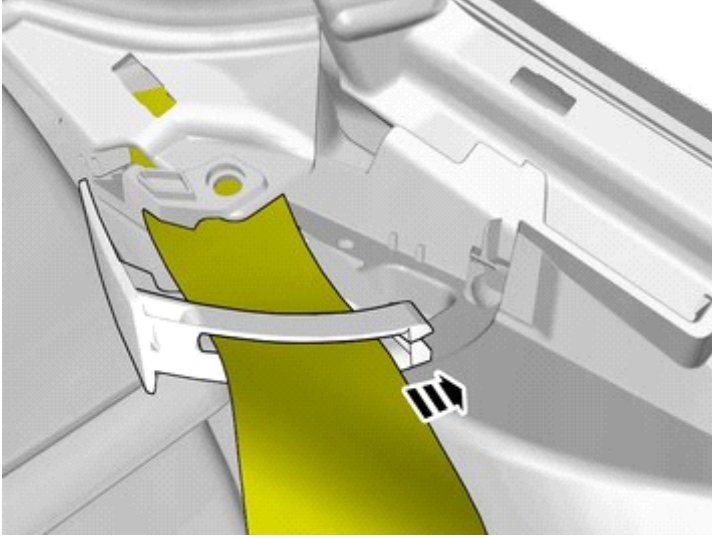
IMG-417449



Installation instructions, accessories

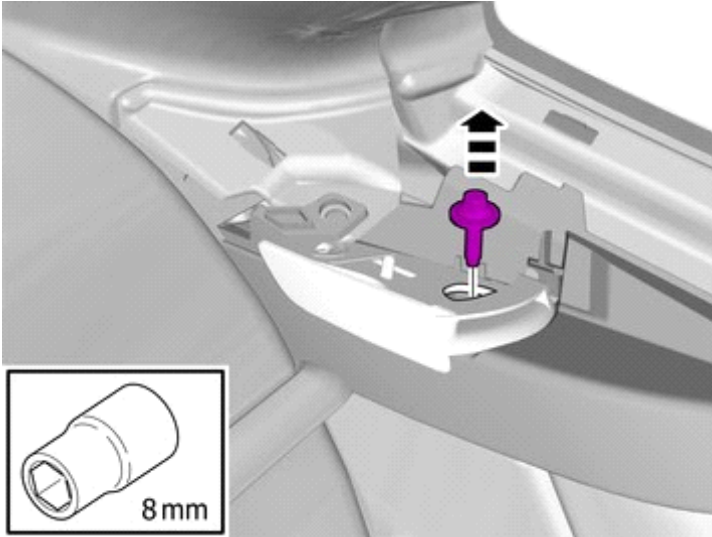
Volvo Car Corporation Gothenburg, Sweden

30



IMG-417450

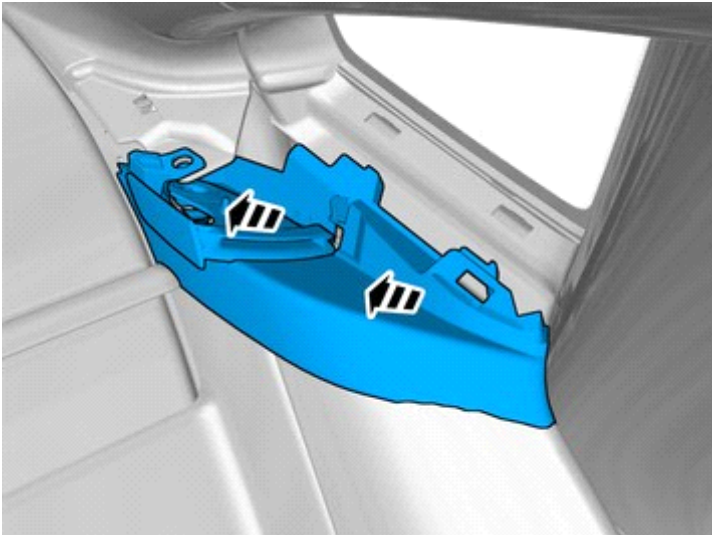
31



IMG-417451

Remove the screw.

32



IMG-417452

Remove the panel.

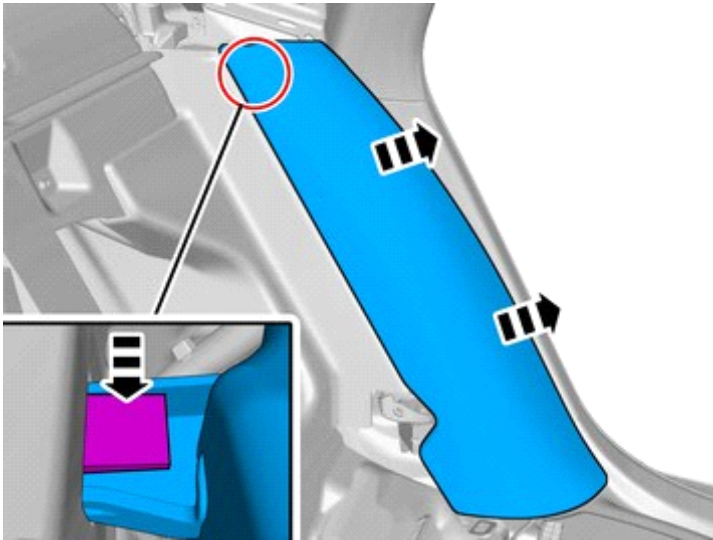
Use hands only.



Installation instructions, accessories

Volvo Car Corporation Gothenburg, Sweden

33

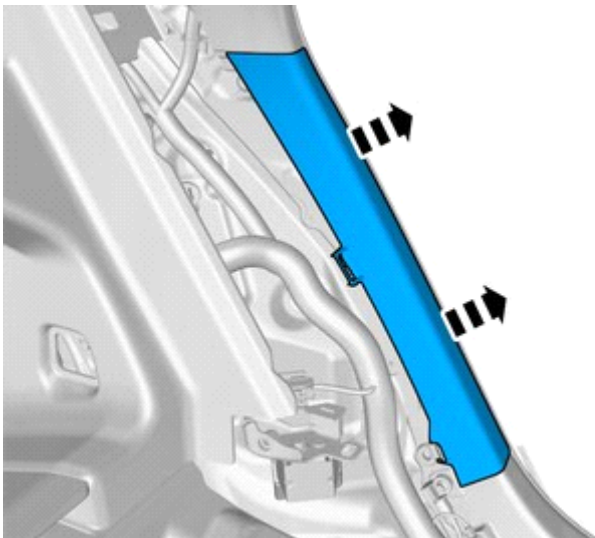


IMG-417502

Release the catch.

Remove the marked part.

34



IMG-417503

Remove the panel.

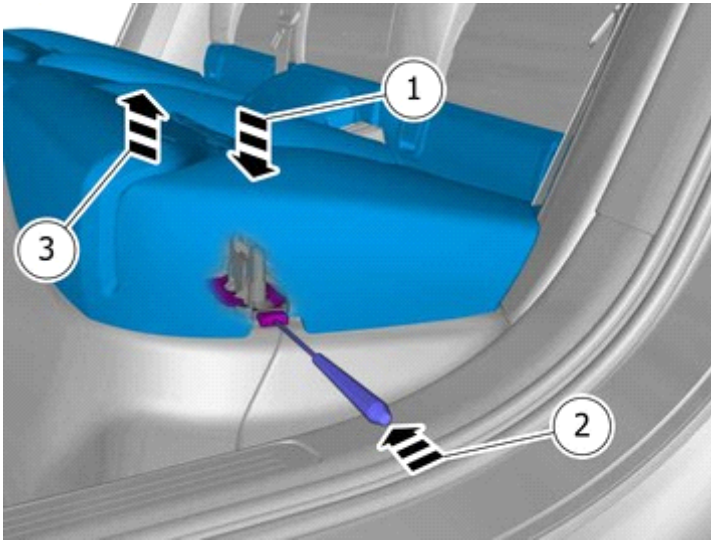
Use hands only.



Installation instructions, accessories

Volvo Car Corporation Gothenburg, Sweden

35



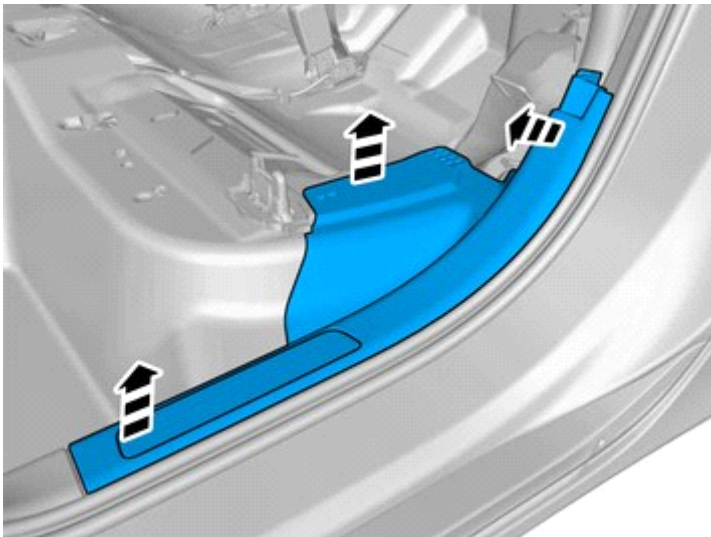
IMG-417441

Release the lock.

Repeat on the other side.

Remove the marked part.

36



IMG-417504

Remove the panel.

Disconnect the connector, if applicable.

37



IMG-422037

Caution!

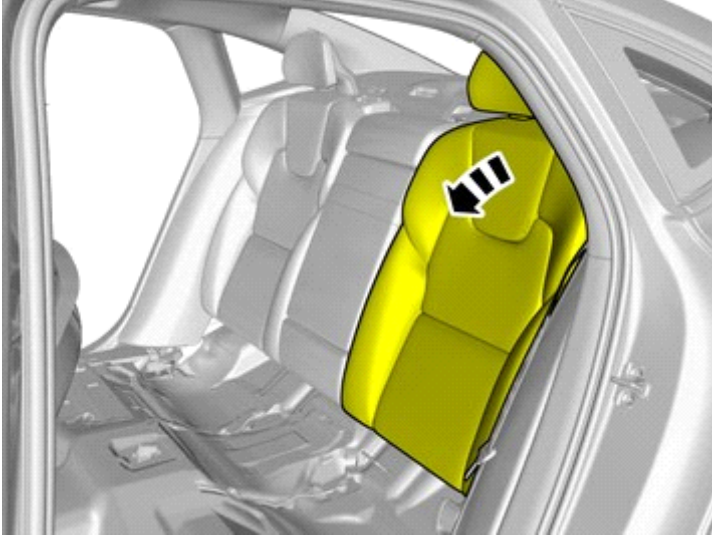
Make sure that the seat backrest upholstery (fold down position) is not damaged by contact with the floor!



Installation instructions, accessories

Volvo Car Corporation Gothenburg, Sweden

38



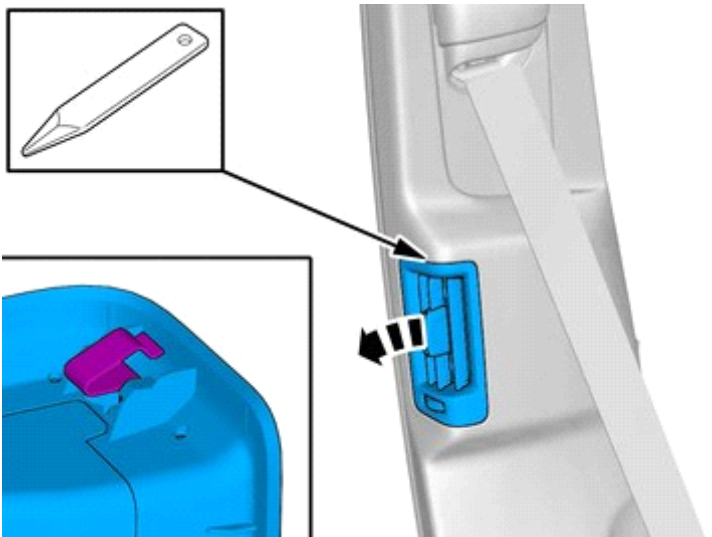
IMG-422115

39



IMG-417505

40



IMG-401577

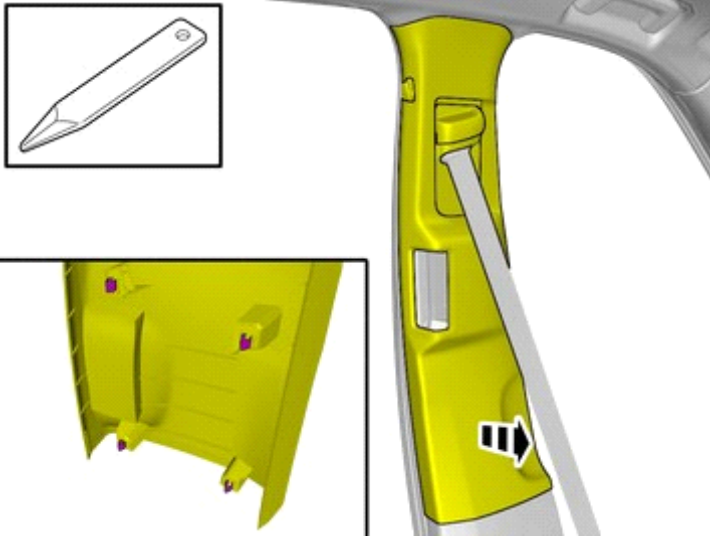
Remove the marked part.



Installation instructions, accessories

Volvo Car Corporation Gothenburg, Sweden

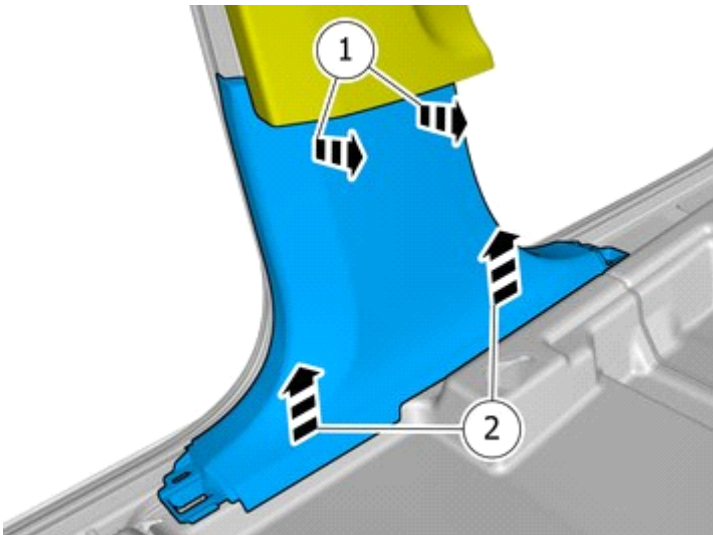
41



IMG-401579

Detach the panel.

42



IMG-401580

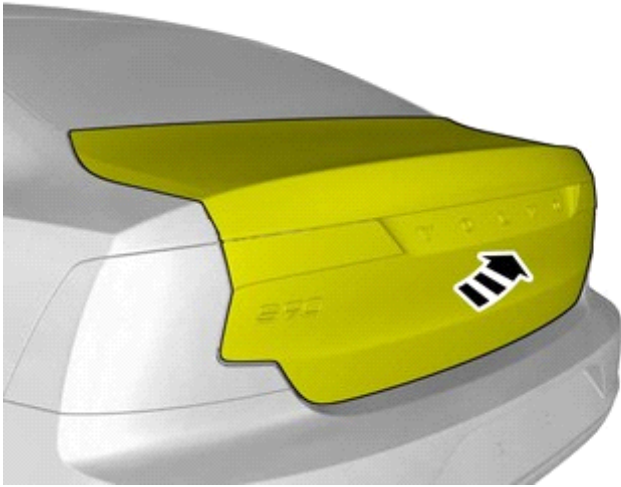
Remove the panel.



Installation instructions, accessories

Volvo Car Corporation Gothenburg, Sweden

43



IMG-410210

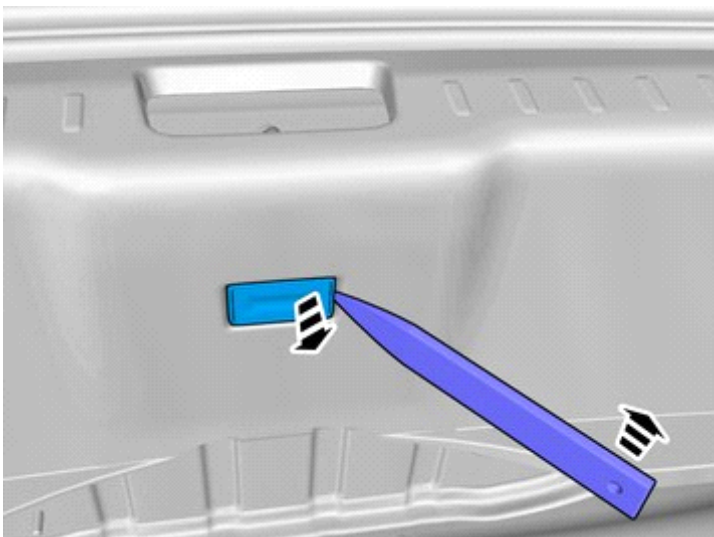
44



IMG-411195

Remove the marked part.

45



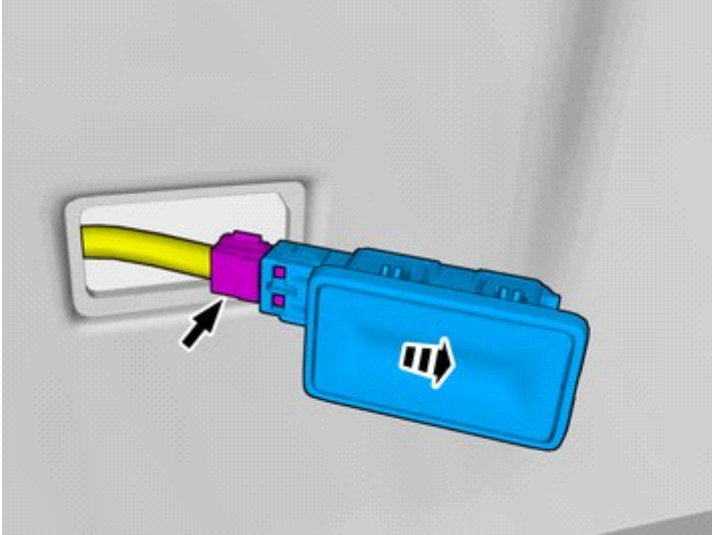
IMG-411216



Installation instructions, accessories

Volvo Car Corporation Gothenburg, Sweden

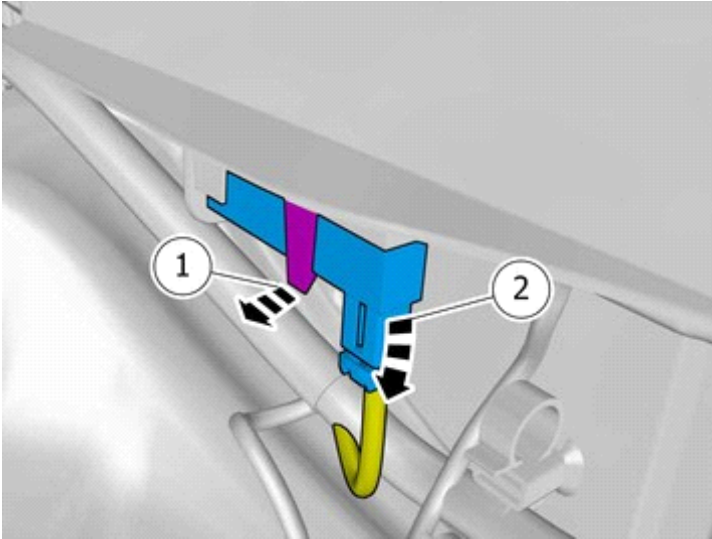
46



IMG-411217

Vehicles with keyless entry

47



IMG-413321

Disconnect any connector(s).

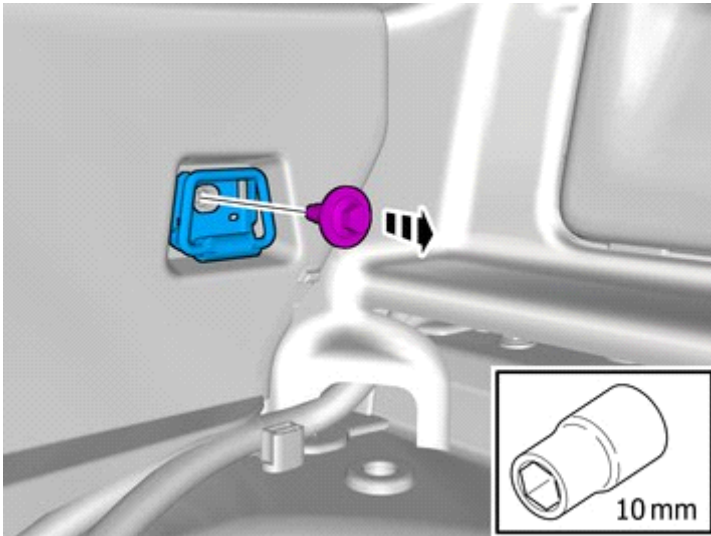
All vehicles



Installation instructions, accessories

Volvo Car Corporation Gothenburg, Sweden

48



IMG-411205

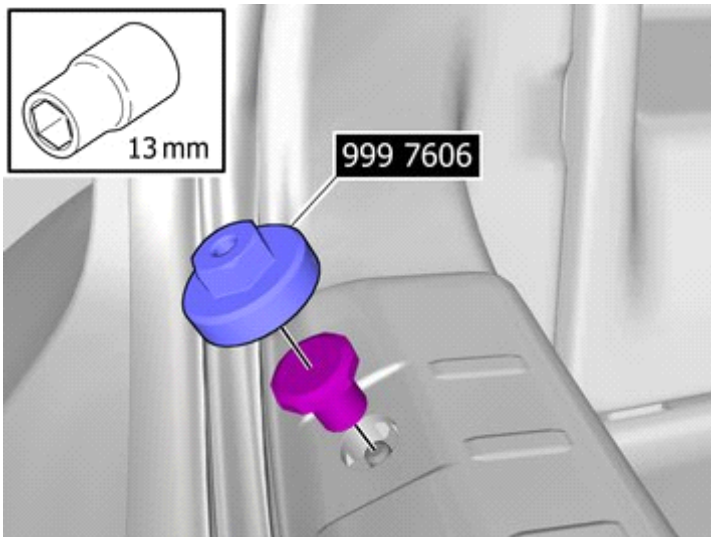
Remove the screw.

Tightening torque: M8 , 24 Nm

Remove the marked part.

Repeat on the other side.

49



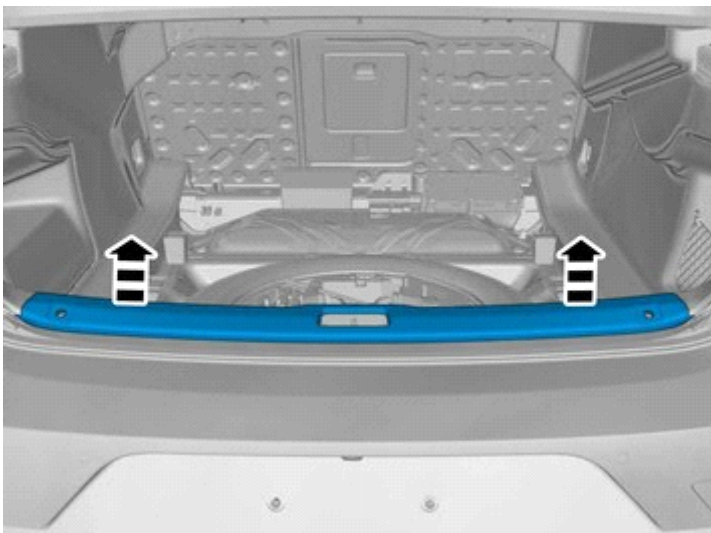
IMG-411220

Remove the marked part.

Use special tool: T9997606, Sleeve

Repeat on the other side.

50



IMG-414161

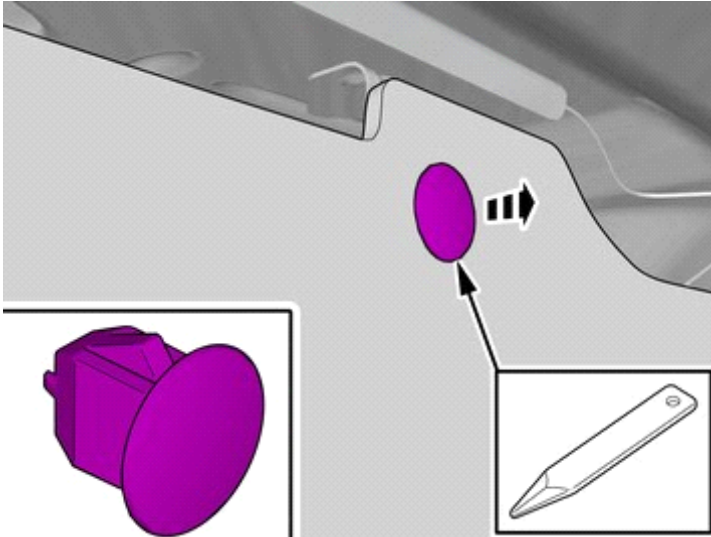
Remove the marked part.



Installation instructions, accessories

Volvo Car Corporation Gothenburg, Sweden

51

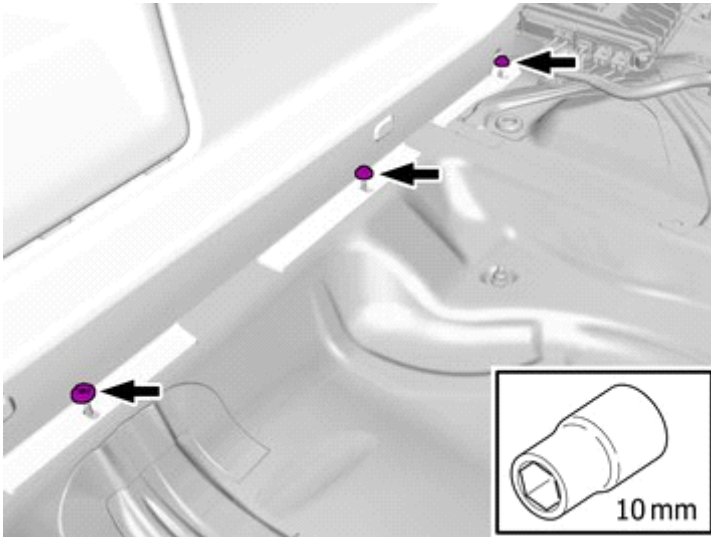


IMG-420146

Remove the clip.

Check that the fasteners are undamaged before installation. If not, they must be replaced with new ones.

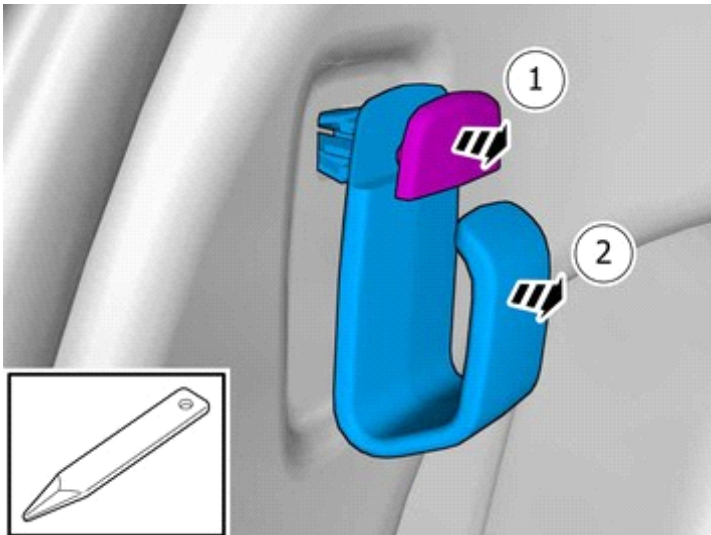
52



IMG-420156

Remove the nuts.

53



IMG-420148

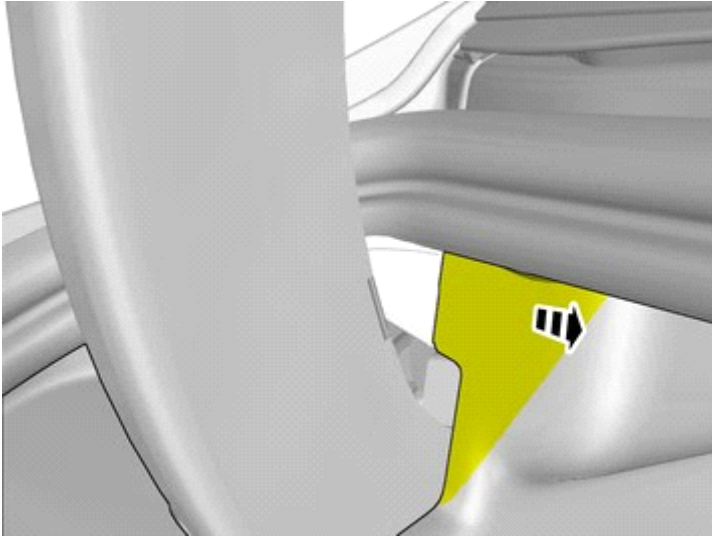
Remove the marked part.



Installation instructions, accessories

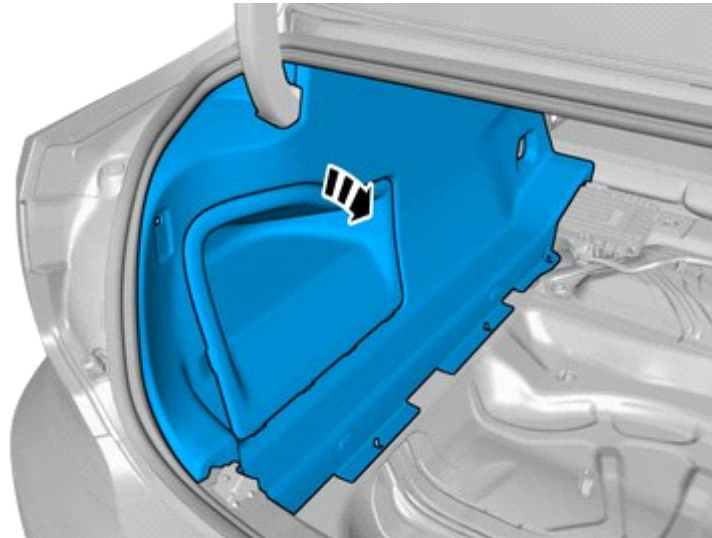
Volvo Car Corporation Gothenburg, Sweden

54



IMG-420149

55



IMG-420158

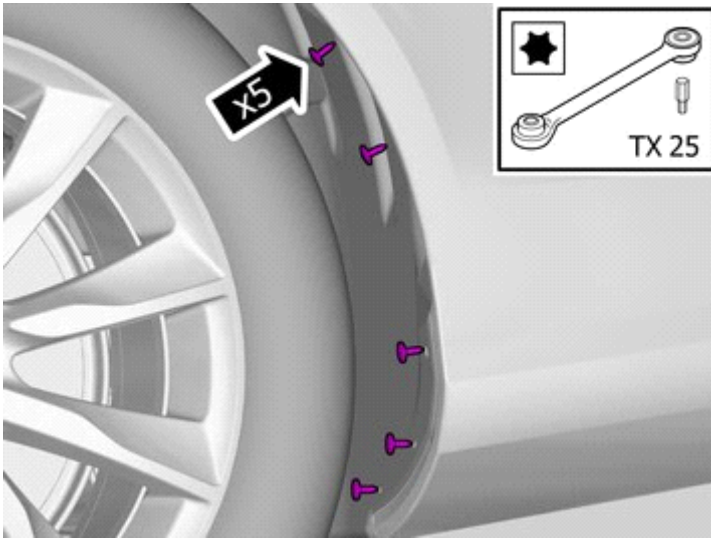
Remove the panel.



Installation instructions, accessories

Volvo Car Corporation Gothenburg, Sweden

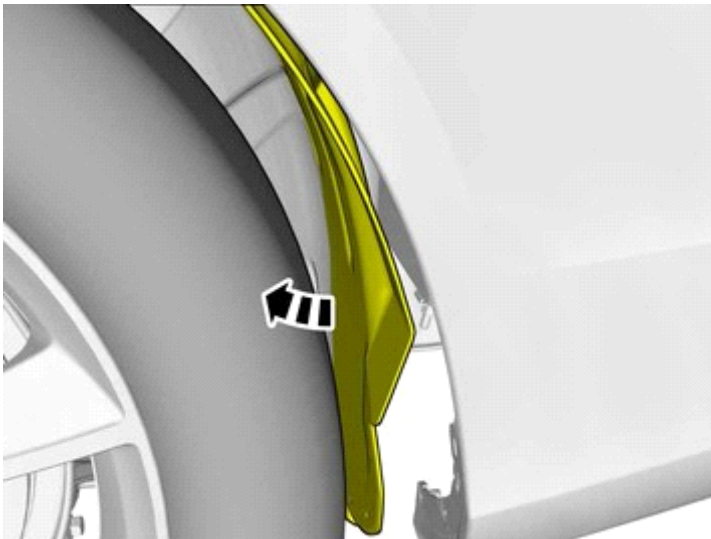
56



IMG-410325

Remove the screws.

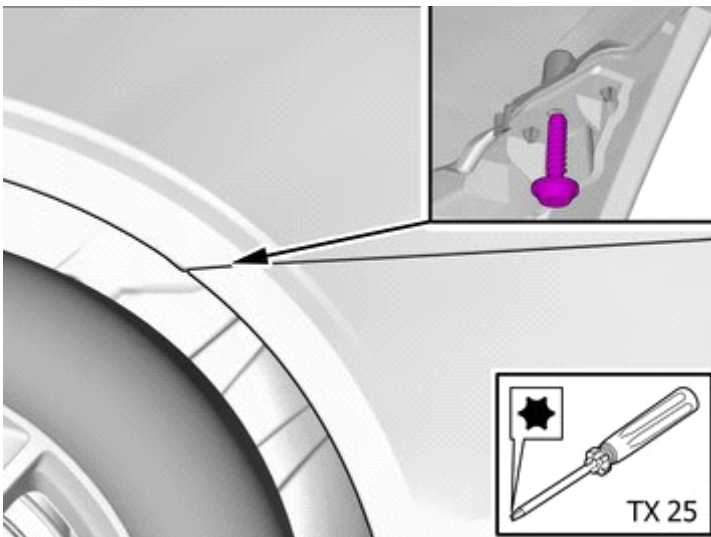
57



IMG-410326

Fold the wing liner to one side.

58



IMG-410333

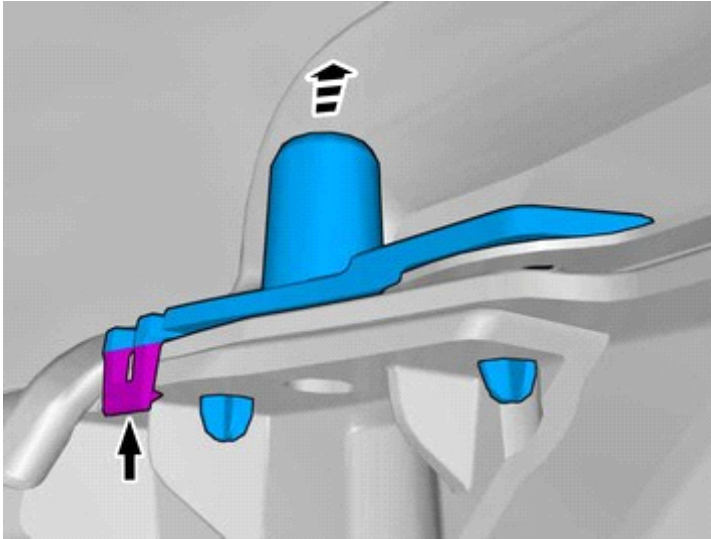
Remove the screw.



Installation instructions, accessories

Volvo Car Corporation Gothenburg, Sweden

59

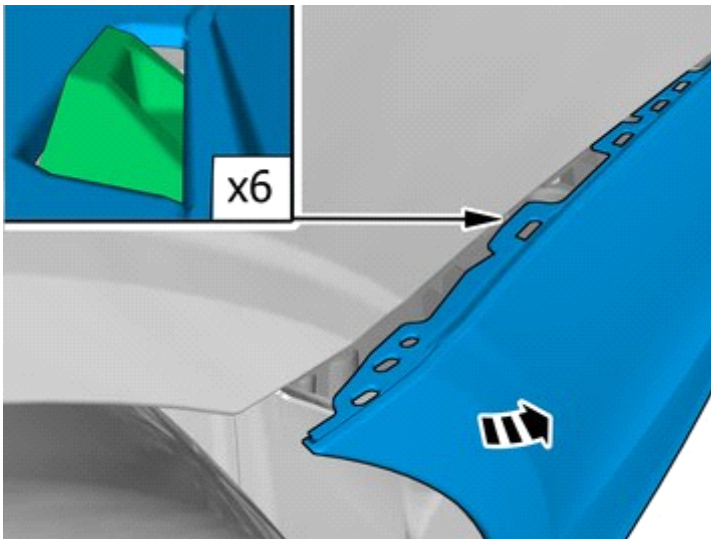


IMG-410335

Release the catch.

Remove the marked part.

60



IMG-410340

Remove the part carefully

61

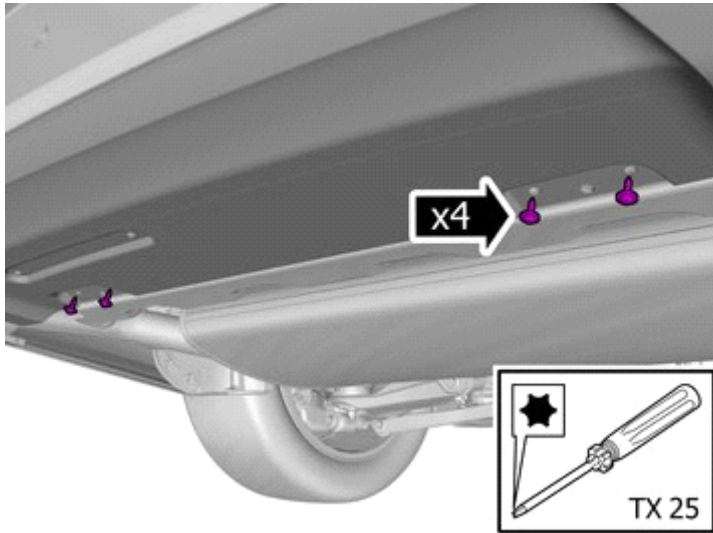
Repeat the steps when removing on opposite side.



Installation instructions, accessories

Volvo Car Corporation Gothenburg, Sweden

62

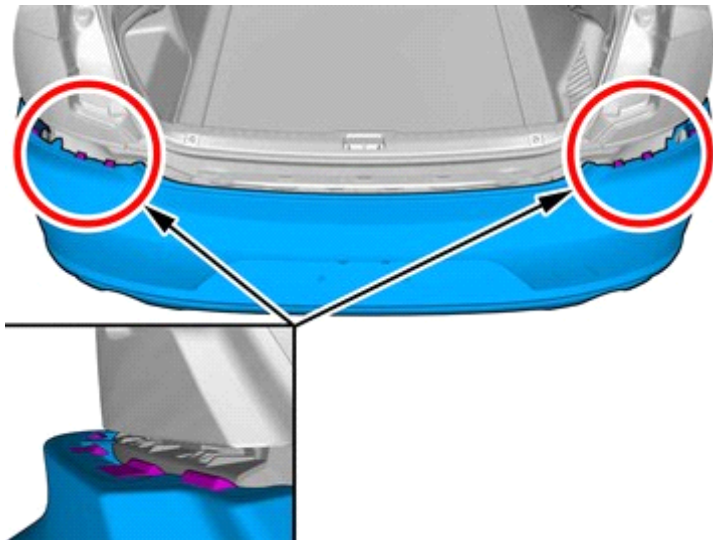


IMG-410355

Raise the car.

Remove the screws.

63



IMG-410352

Note!

This step requires the aid of another technician.

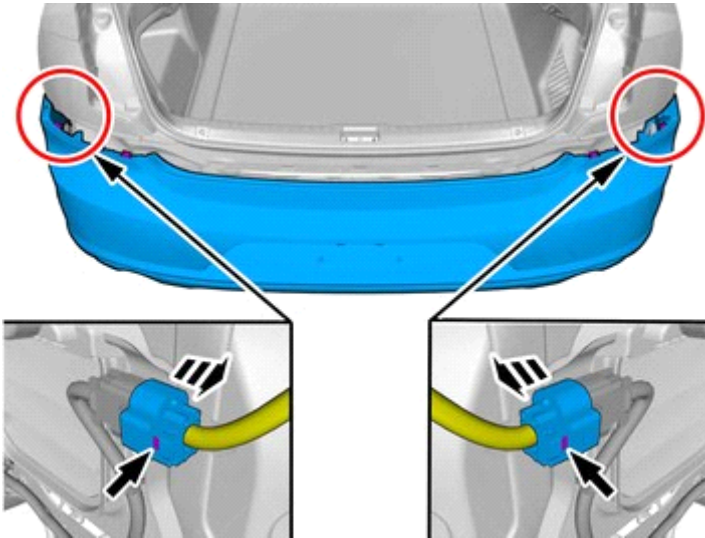
Loosen the component indicated. Do not remove it.



Installation instructions, accessories

Volvo Car Corporation Gothenburg, Sweden

64



IMG-410370

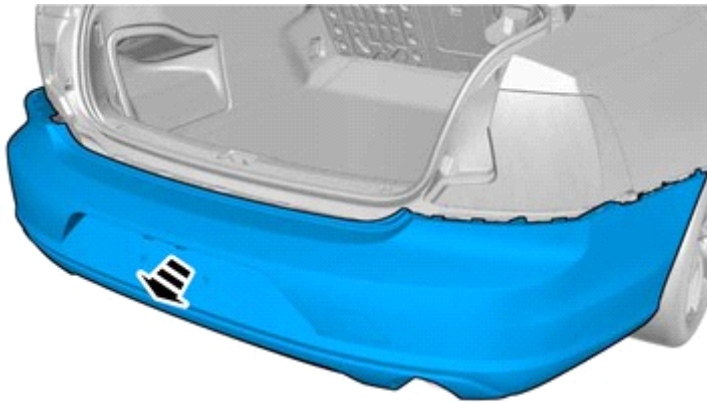
Note!

The number of connectors may vary depending on the vehicle's equipment level.

Release the connector's catch.

Disconnect the connector.

65



IMG-410372

Caution!

Place the Bumper Cover on a suitable surface.

Remove the marked part.

Accessory installation



Installation instructions, accessories

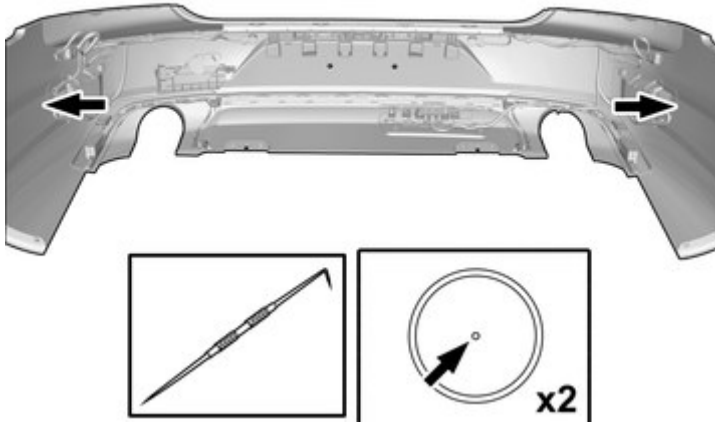
Volvo Car Corporation Gothenburg, Sweden

66

Locate the markings for the positions.

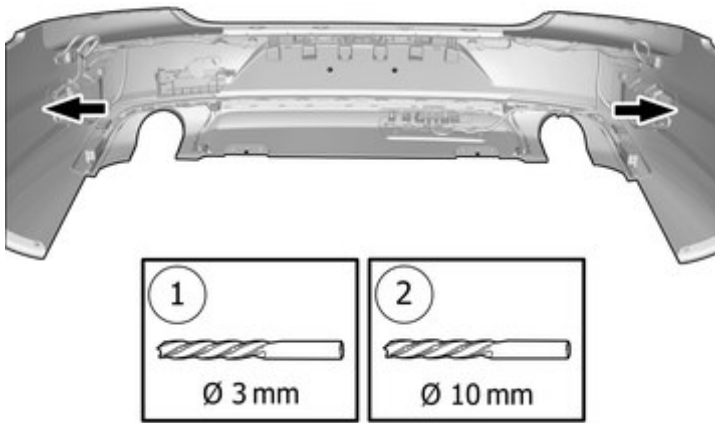
Measure and mark out the centre.

Use: Scribe



IMG-420159

67



IMG-420160

68

Caution!
Sharp end of tool must be on outside of cover.

Use special tool: T9997234, Hole stamp



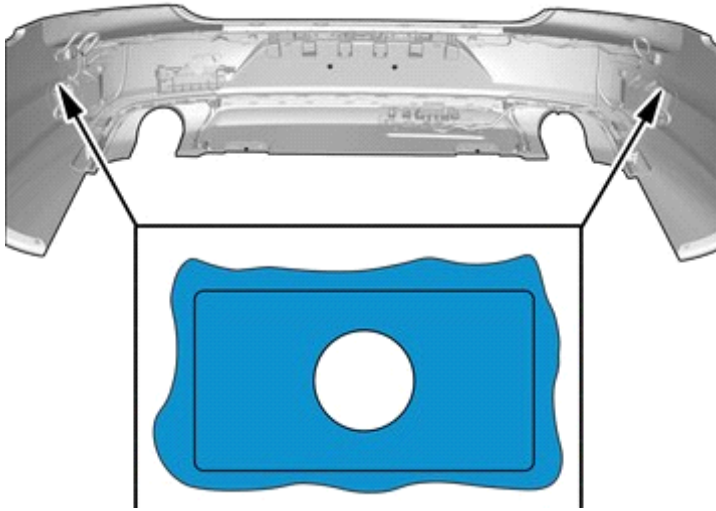
IMG-420161



Installation instructions, accessories

Volvo Car Corporation Gothenburg, Sweden

69

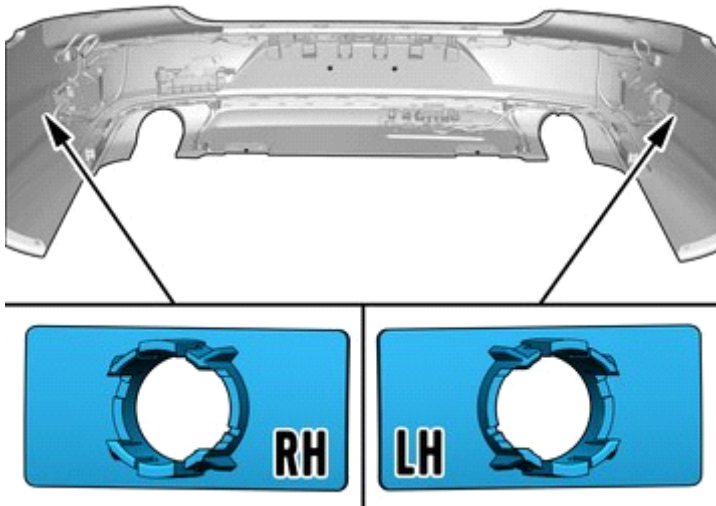


IMG-420326

Clean the surfaces.

Use: , Isopropanol

70



IMG-420325

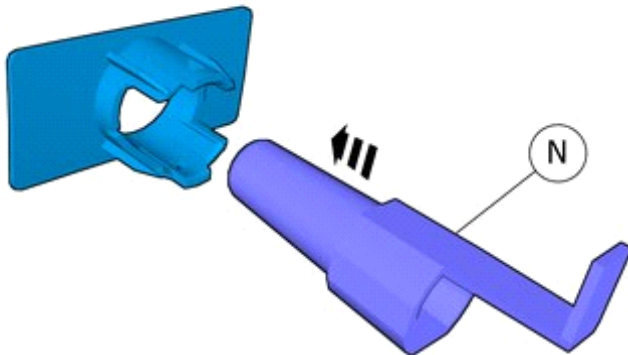
Note!

Note the position.

Note!

Prepare and install one holder at a time.

71



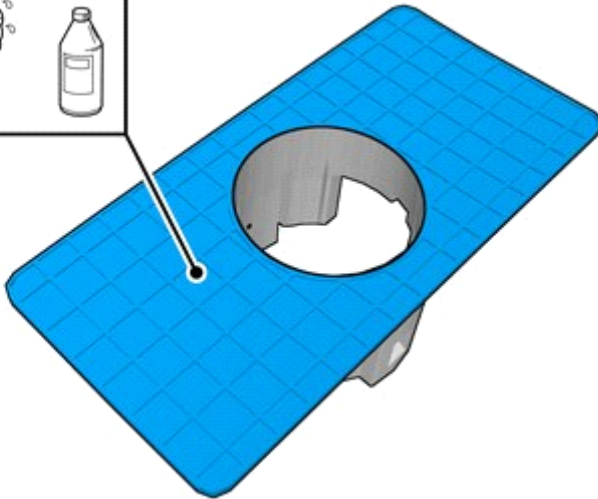
IMG-420220



Installation instructions, accessories

Volvo Car Corporation Gothenburg, Sweden

72

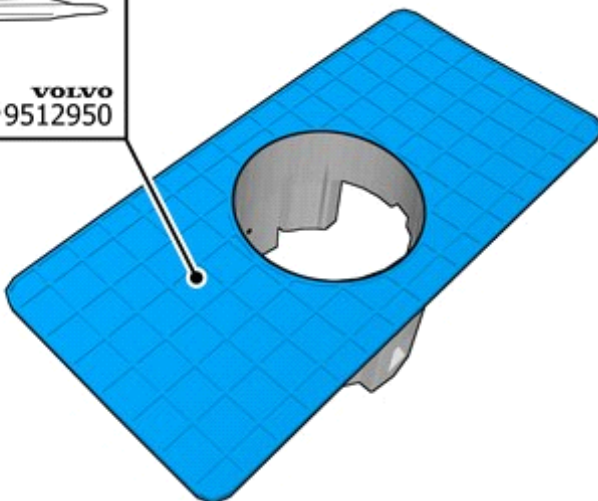


Clean the surface.

Use: , Isopropanol

IMG-420165

73



Warning!

Wear protective gloves.

Warning!

Make sure to provide adequate ventilation.

Apply a thin and even layer.

Use special tool: T9512950, Glue gun (kit)

Use: 1161730, Mixing pipe

Use: 9511027, Glue

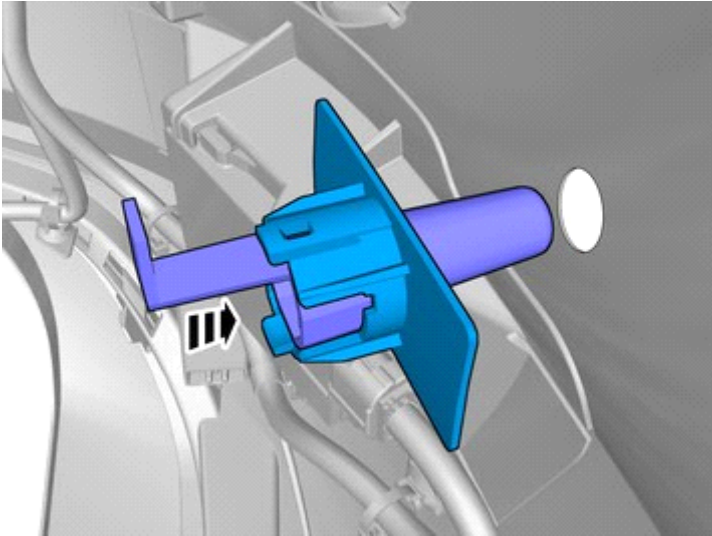
IMG-420166



Installation instructions, accessories

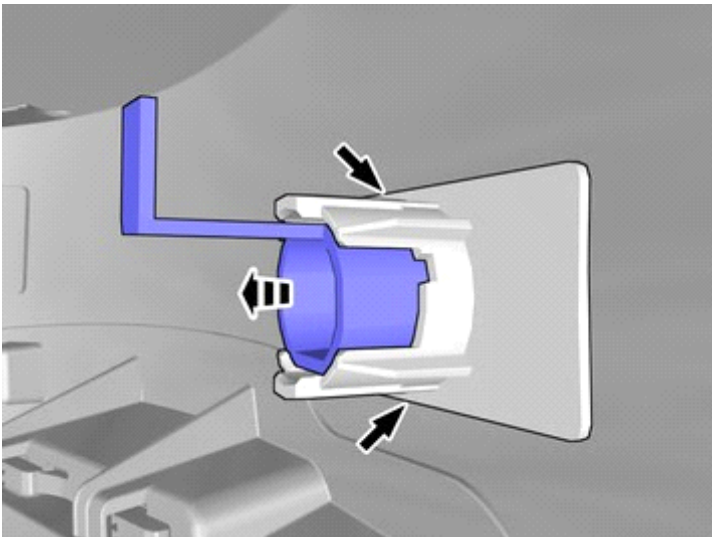
Volvo Car Corporation Gothenburg, Sweden

74



IMG-420219

75

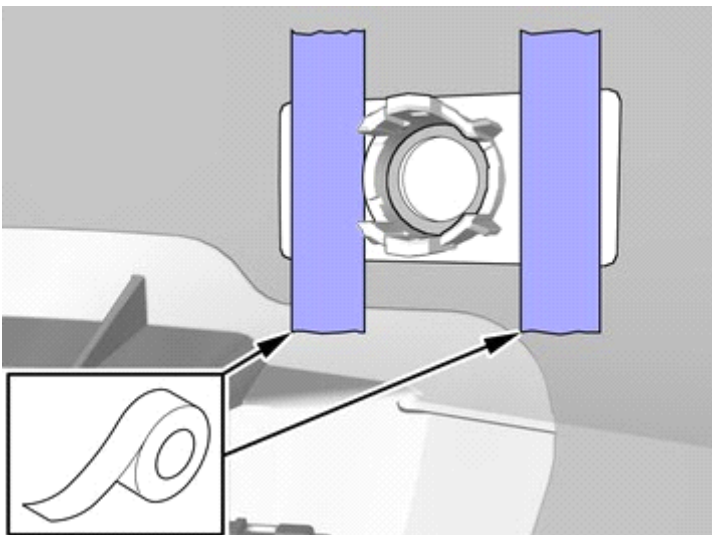


IMG-420218

Note!

Hold the part securely at the marker arrows when removing the tool.

76



IMG-420216

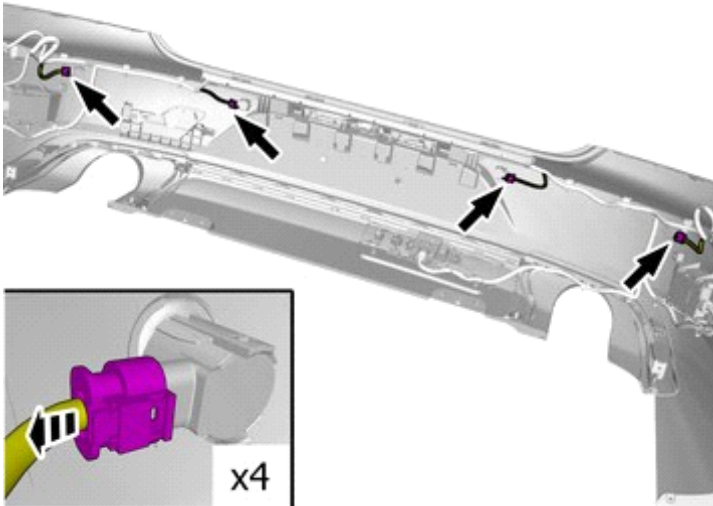
Use: 9511083, Tape



Installation instructions, accessories

Volvo Car Corporation Gothenburg, Sweden

77

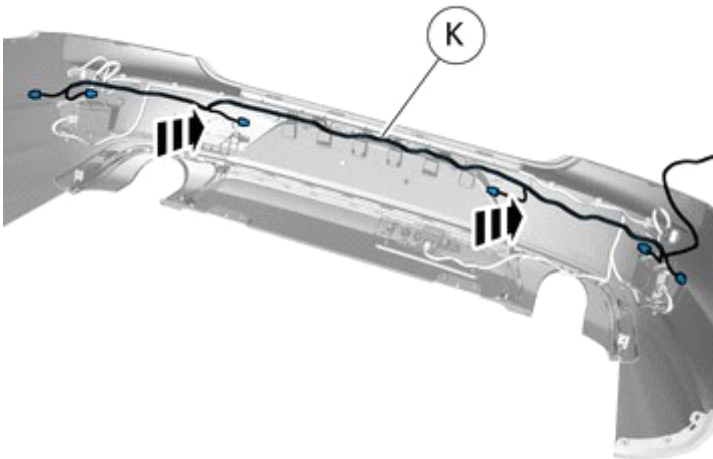


IMG-420330

Disconnect the connectors.

Attach the connector to the wiring harness.

78

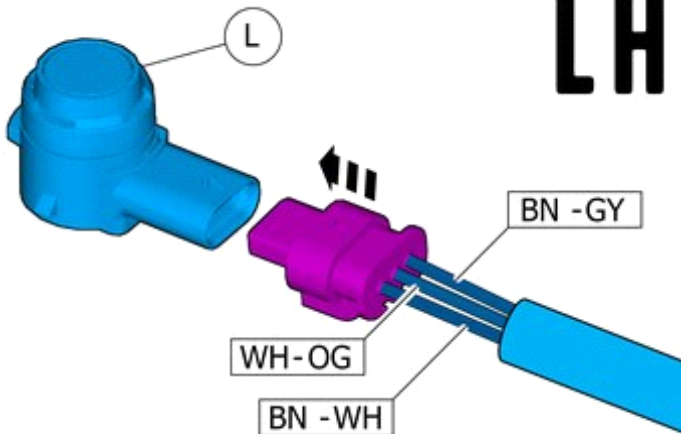


IMG-420334

Install component that comes with the accessory kit.

Put the wiring in the Bumper cover without installing the wiring.

79



Connect the two painted sensors to the external connections.

BN = Brown

GY = Grey

OG = Orange

WH = White

IMG-420335

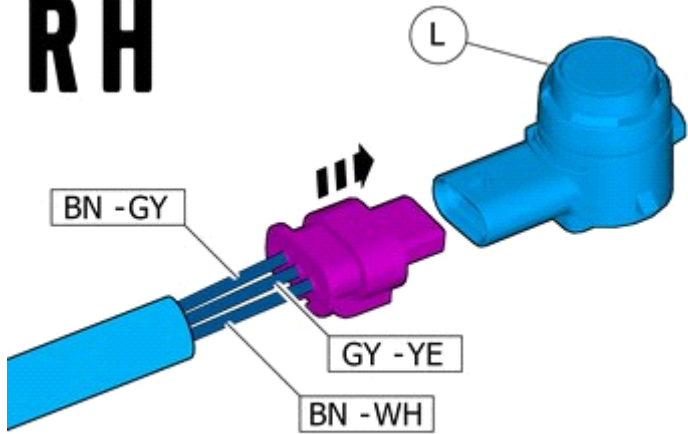


Installation instructions, accessories

Volvo Car Corporation Gothenburg, Sweden

80

RH



BN = Brown

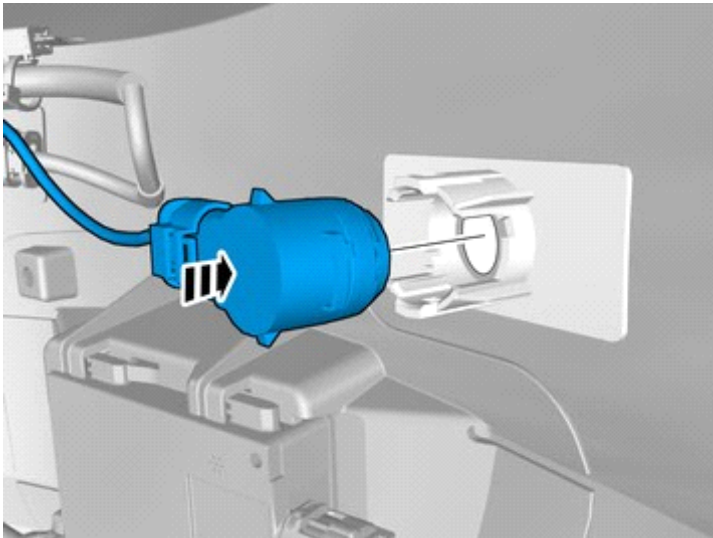
GY = Grey

WH = White

YE = Yellow

IMG-420337

81



Repeated on the right-hand side.

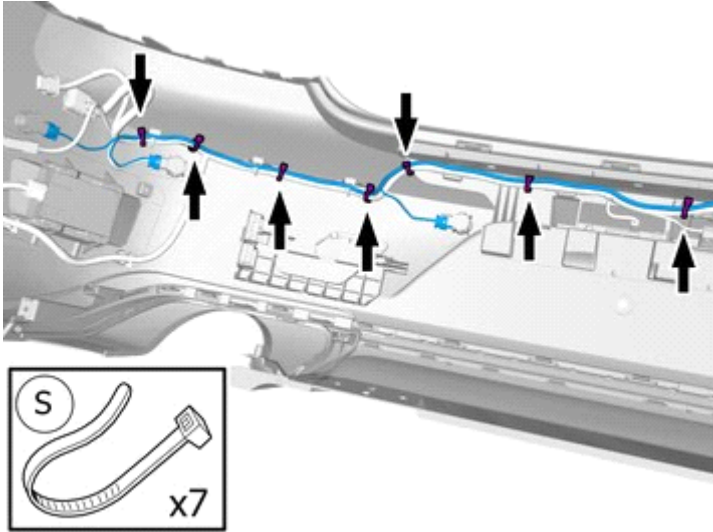
IMG-420338



Installation instructions, accessories

Volvo Car Corporation Gothenburg, Sweden

82



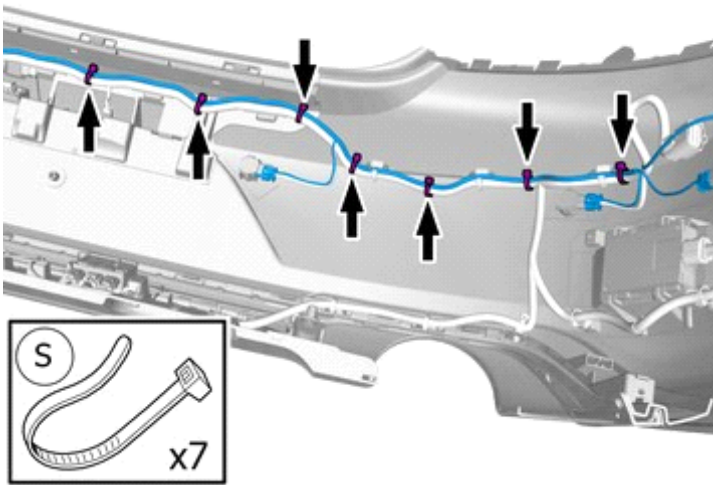
IMG-420360

Route the wire adjacent to existing wirings.

Install the cable.

Use a cable tie

83



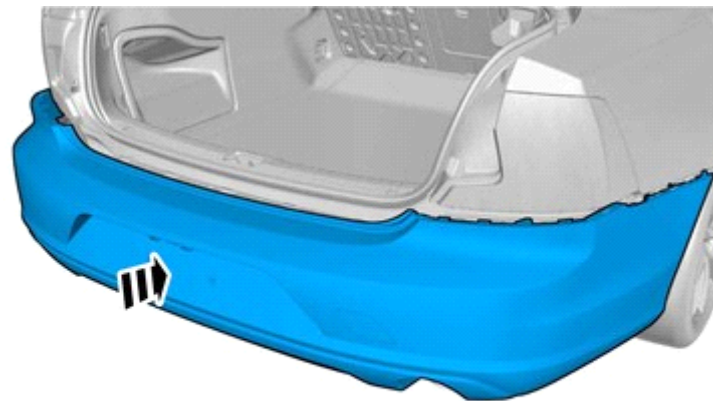
IMG-420361

Route the wire adjacent to existing wirings.

Install the cable.

Use a cable tie

84



IMG-415360

Note!

This step is easier with two people.

Place the Bumper Cover in position for installation.

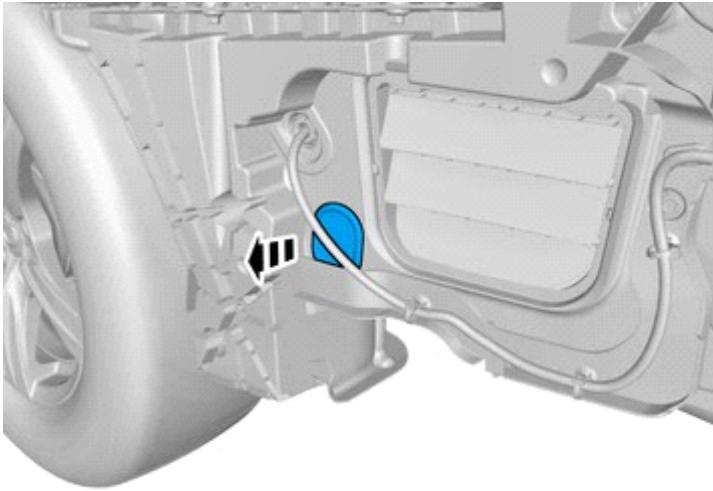


Installation instructions, accessories

Volvo Car Corporation Gothenburg, Sweden

Vehicles without aftermarket-installed Parking assistance

85

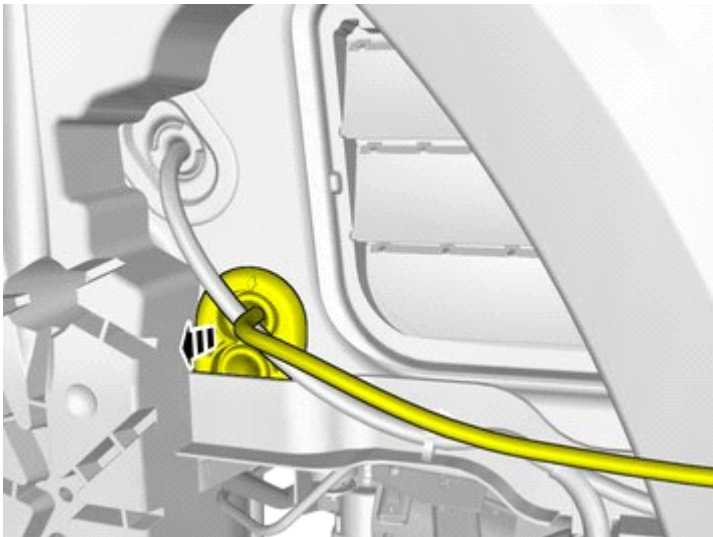


Remove the marked part.

IMG-415410

Vehicles with aftermarket-installed Parking assistance

86



Loosen the component indicated. Do not remove it.

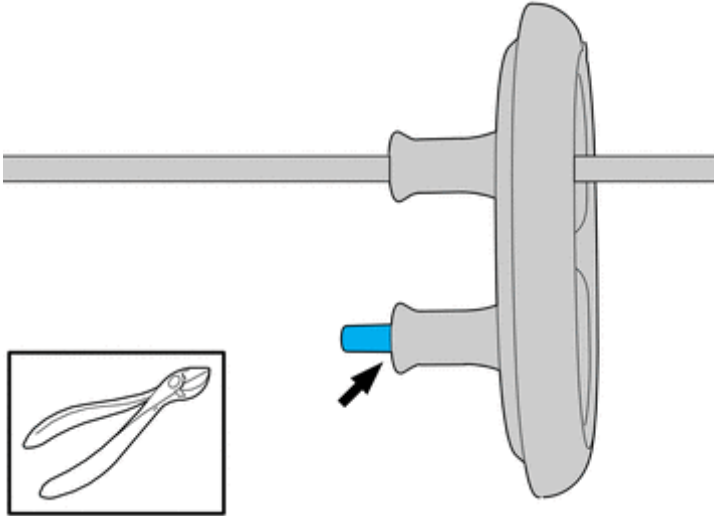
IMG-420170



Installation instructions, accessories

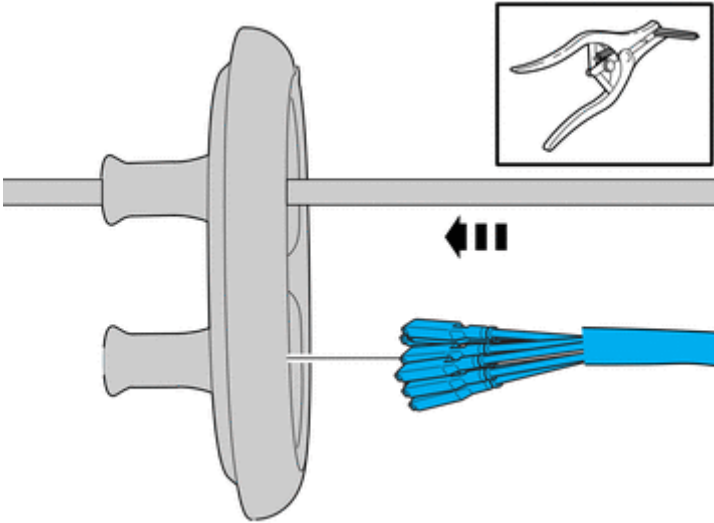
Volvo Car Corporation Gothenburg, Sweden

87



IMG-420171

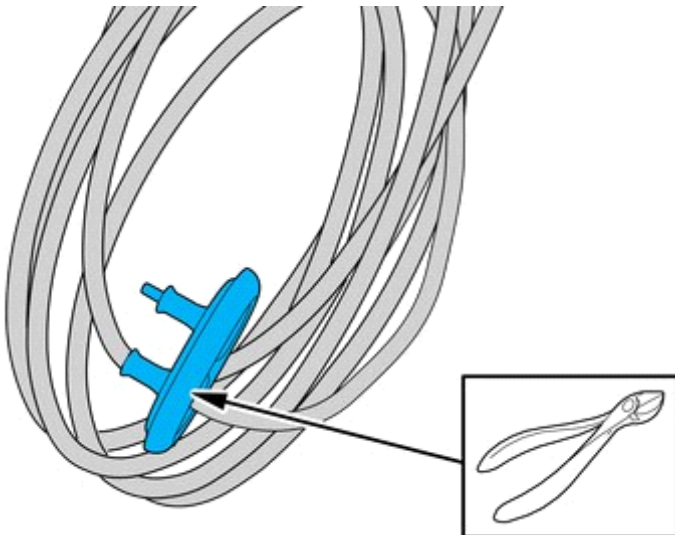
88



IMG-420173

Use special tool: T9814203, Expander pliers

89



IMG-416935

Remove the marked part.

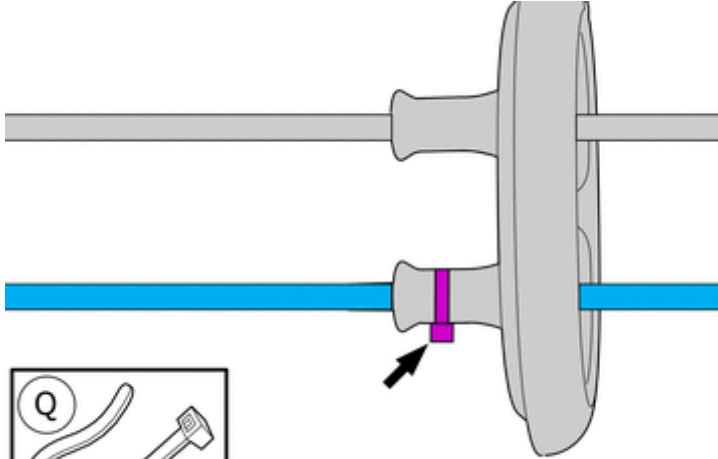
The part is not to be reused.



Installation instructions, accessories

Volvo Car Corporation Gothenburg, Sweden

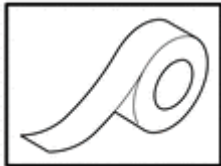
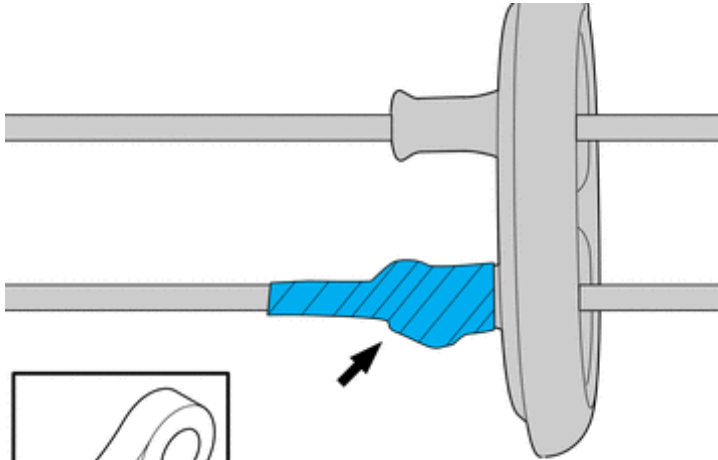
90



IMG-420175

91

Use: , Electrical tape



IMG-420362

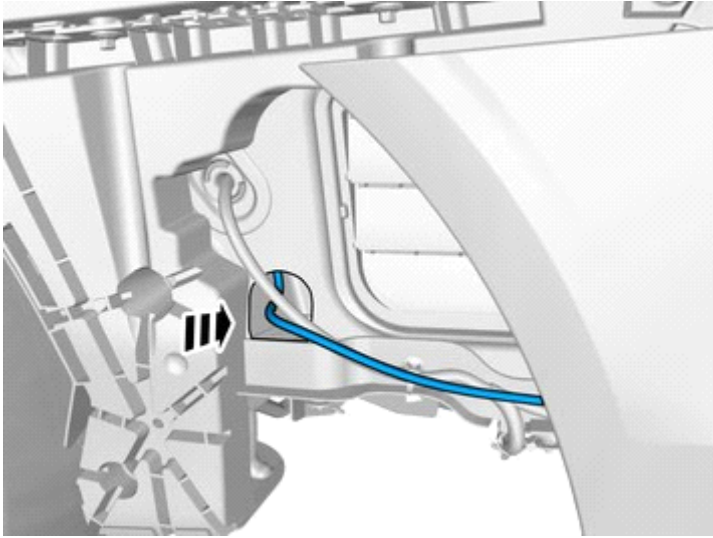
All vehicles



Installation instructions, accessories

Volvo Car Corporation Gothenburg, Sweden

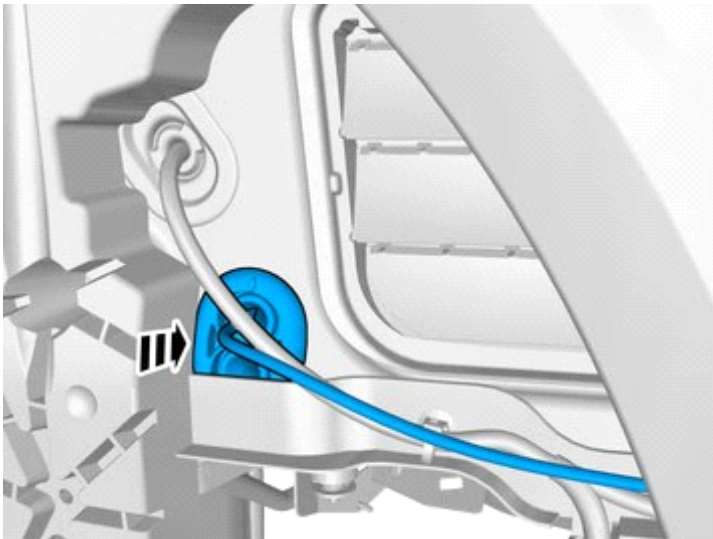
92



IMG-415415

Route the wiring harness into the passenger compartment.

93

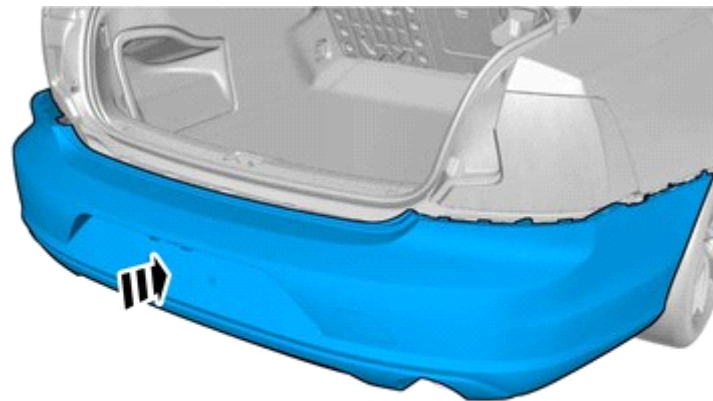


IMG-415420

Caution!

Make sure that the rubber grommet seals properly to the body.

94



IMG-415360

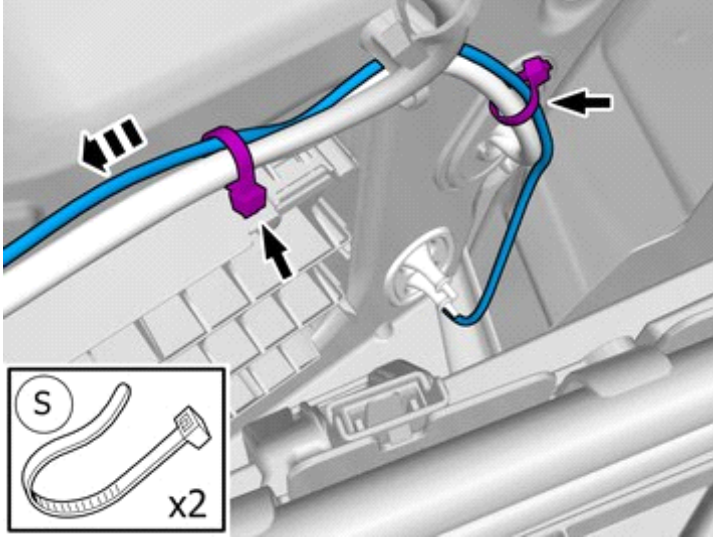
Reinstall the bumper.



Installation instructions, accessories

Volvo Car Corporation Gothenburg, Sweden

95



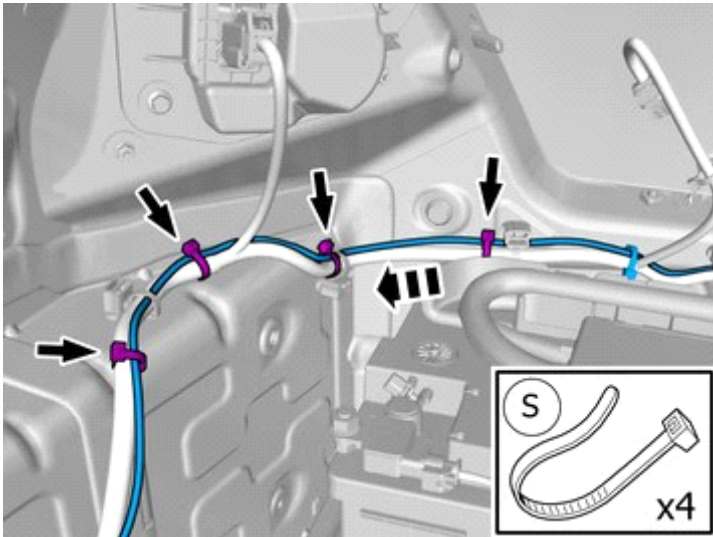
IMG-420366

Route the wire adjacent to existing wirings.

Install the cable.

Use a cable tie

96



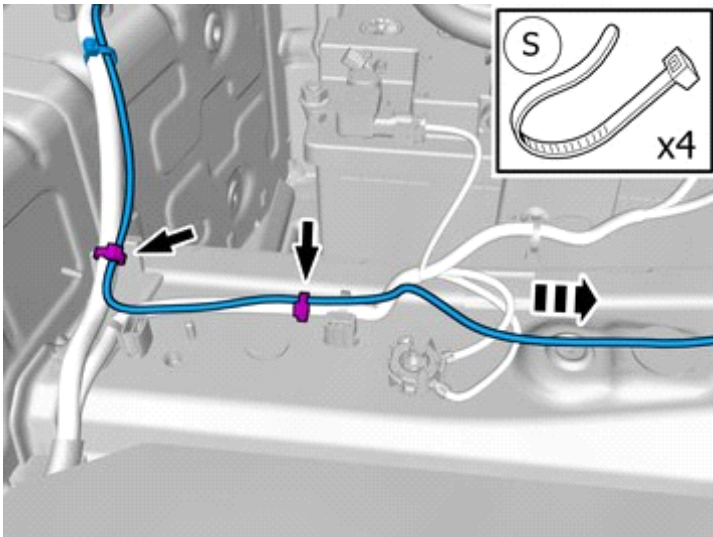
IMG-420367

Route the wire adjacent to existing wirings.

Install the cable.

Use a cable tie

97



IMG-420369

Route the wire adjacent to existing wirings.

Install the cable.

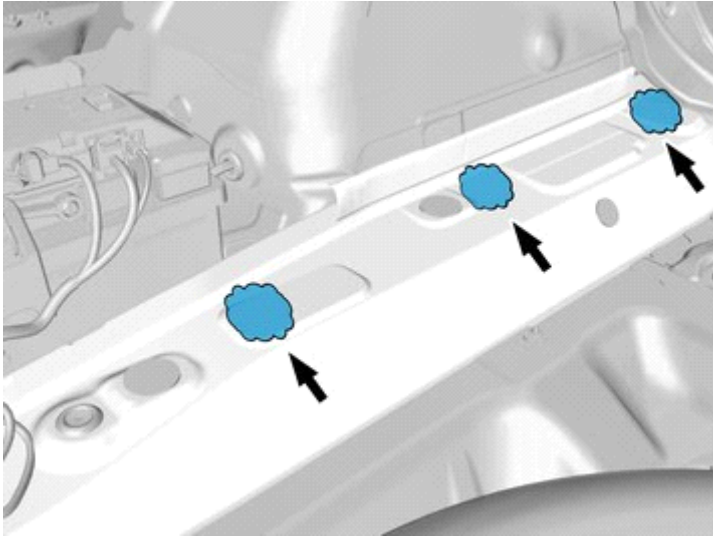
Use a cable tie



Installation instructions, accessories

Volvo Car Corporation Gothenburg, Sweden

98

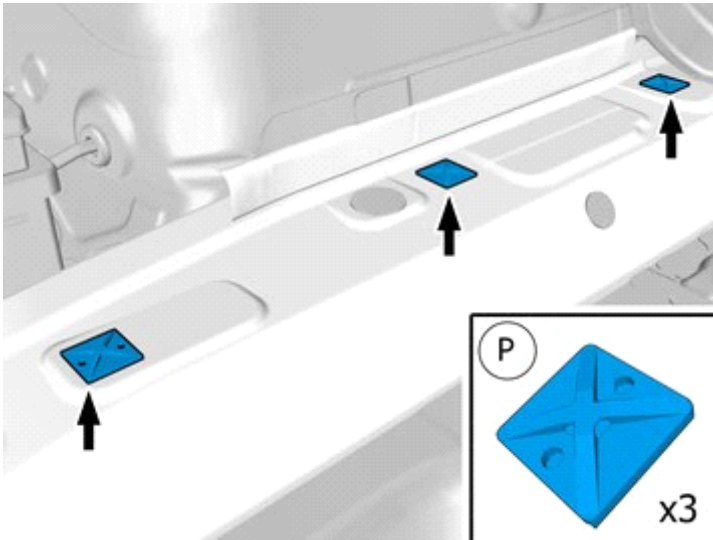


IMG-420371

Clean the surfaces.

Use: , Isopropanol

99



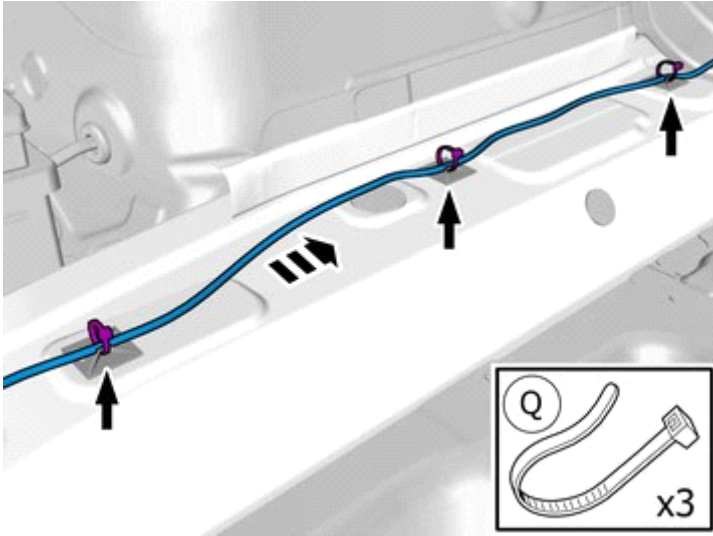
IMG-420375



Installation instructions, accessories

Volvo Car Corporation Gothenburg, Sweden

100



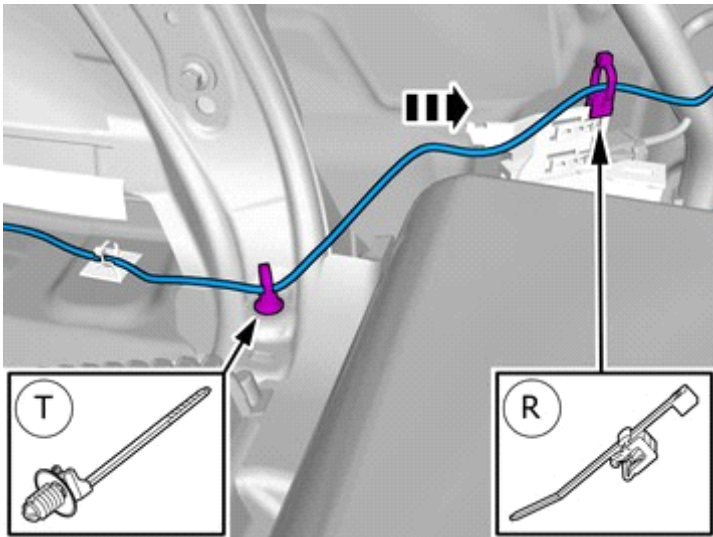
IMG-420376

Position/route the cable as illustrated.

Install the cable.

Use a cable tie

101



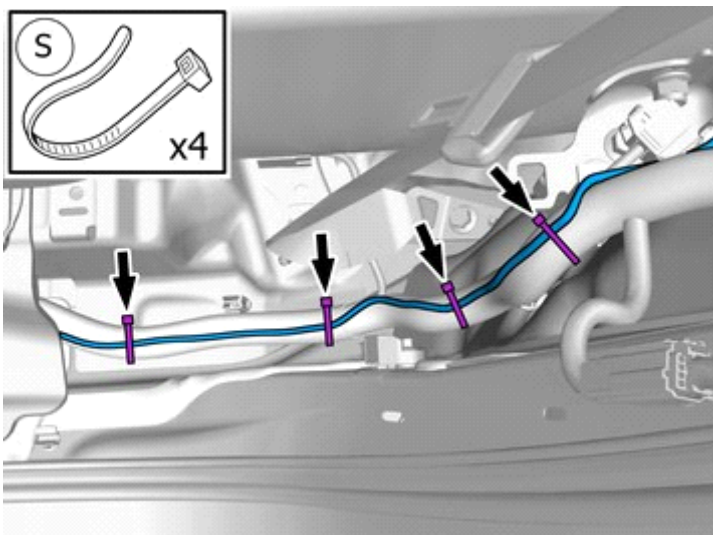
IMG-420491

Position/route the cable as illustrated.

Install the cable.

Use a cable tie

102



IMG-420493

Route the wire adjacent to existing wirings.

Install the cable.

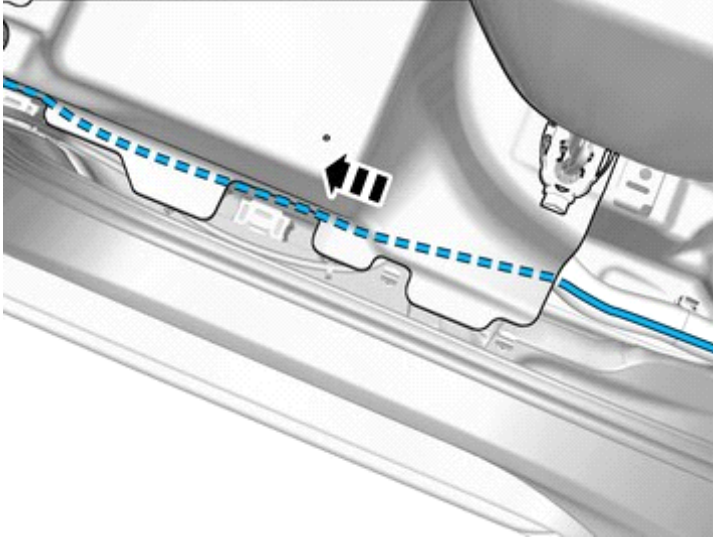
Use a cable tie



Installation instructions, accessories

Volvo Car Corporation Gothenburg, Sweden

103



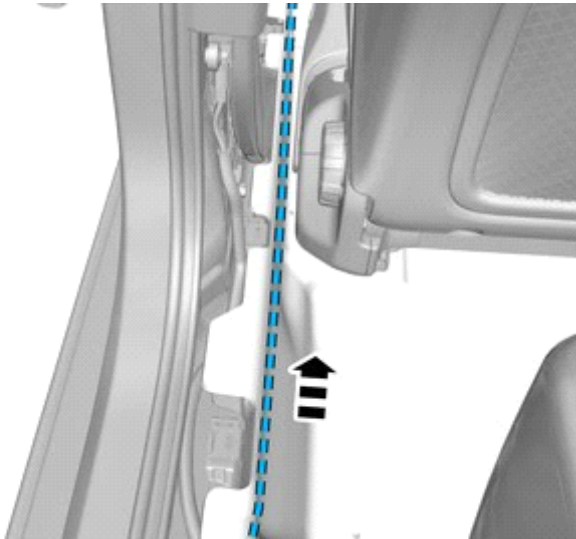
IMG-420500

Position/route the cable as illustrated.

Install the cable.

Use a cable tie

104



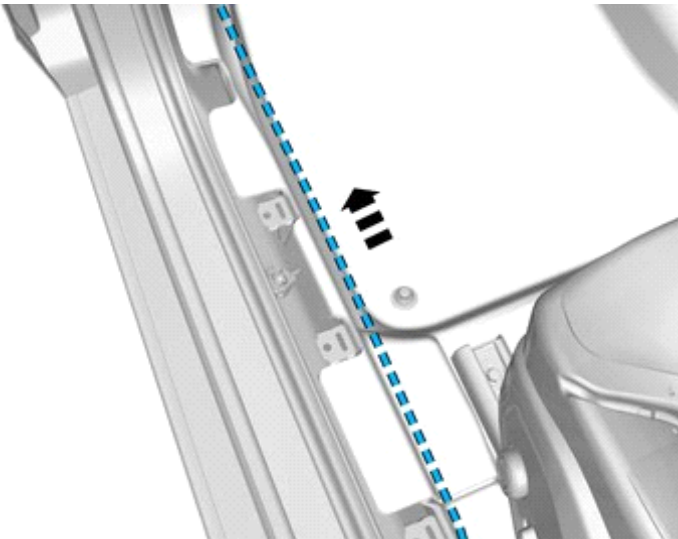
IMG-420502

Note!

Route the wiring between floor carpet and air duct.

Position/route the cable as illustrated.

105



IMG-420504

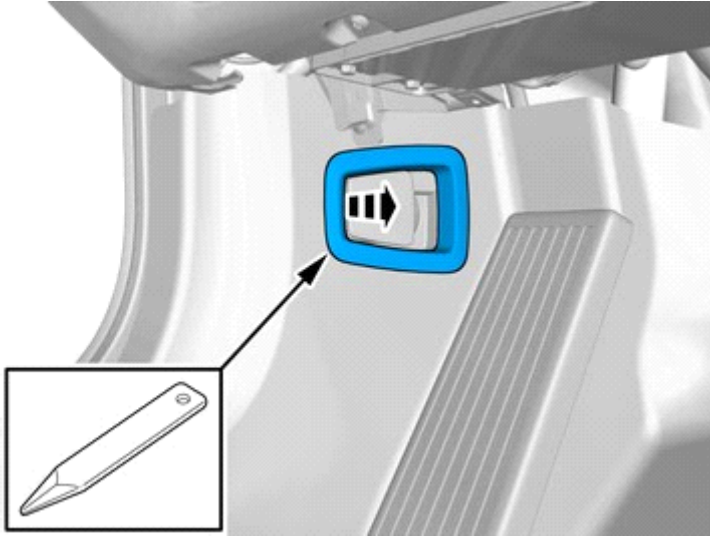
Position/route the cable as illustrated.



Installation instructions, accessories

Volvo Car Corporation Gothenburg, Sweden

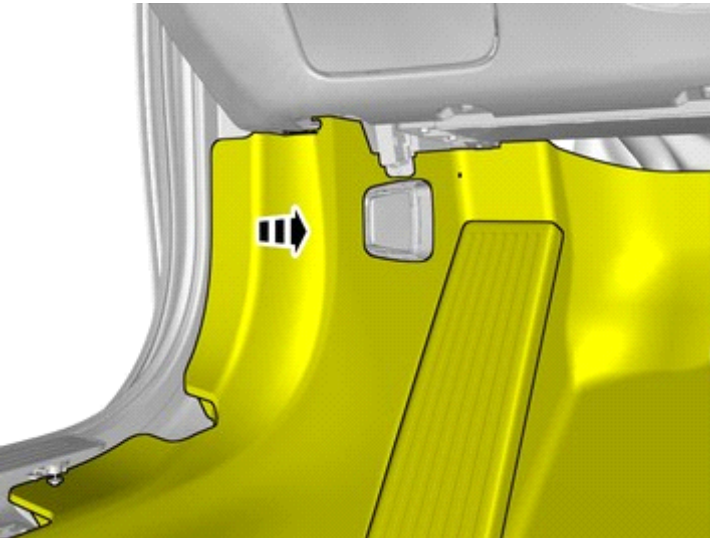
106



IMG-421281

Remove the marked part.

107



IMG-421282

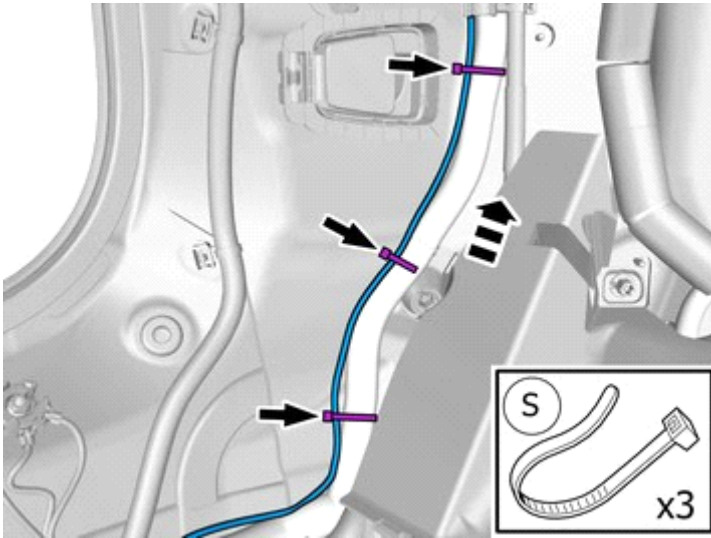
Fold the carpet to the side.



Installation instructions, accessories

Volvo Car Corporation Gothenburg, Sweden

108



IMG-421283

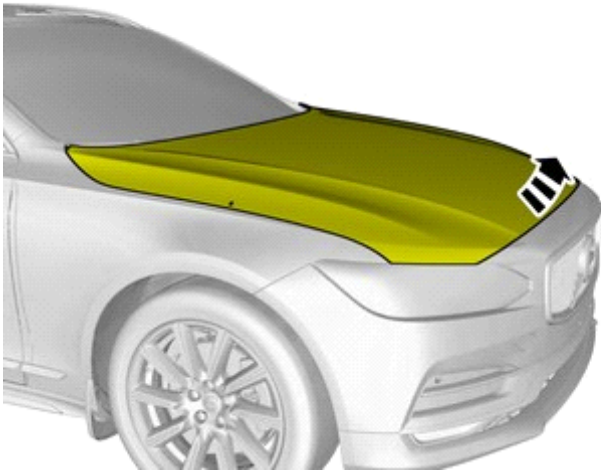
Route the wire adjacent to existing wirings.

Install the cable.

Use a cable tie

Removal

109

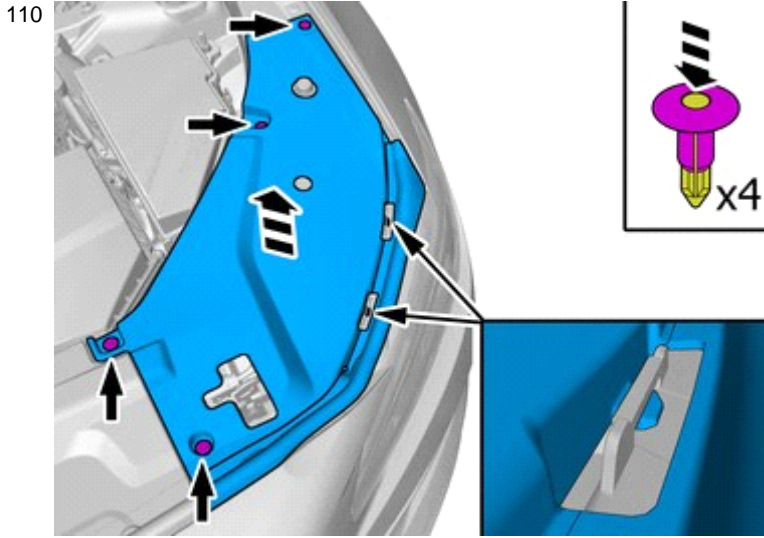


IMG-420320



Installation instructions, accessories

Volvo Car Corporation Gothenburg, Sweden

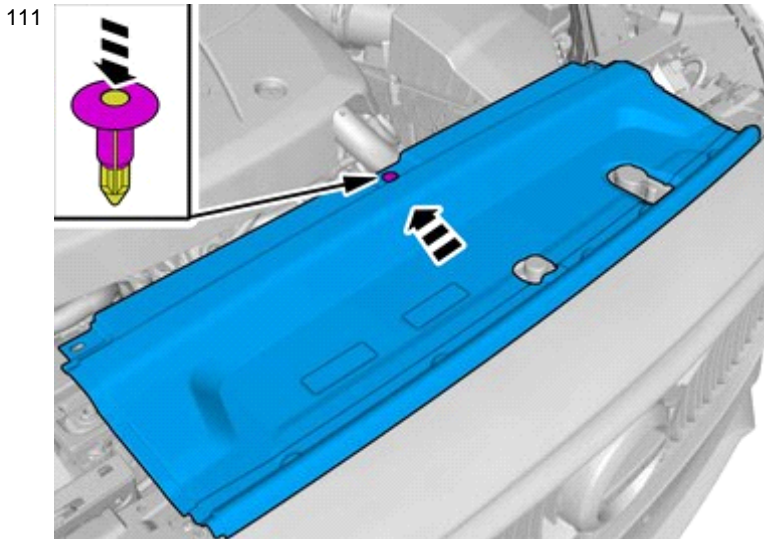


IMG-412677

Remove the clips.

Remove the marked part.

Repeat on the other side.

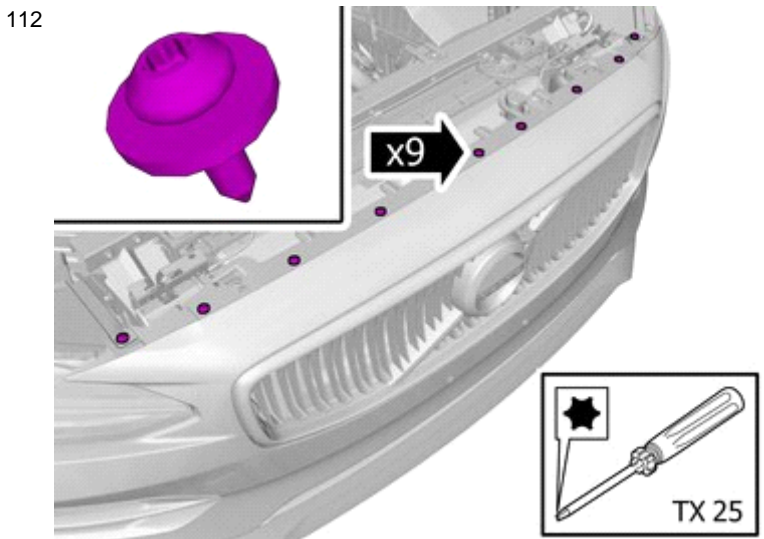


IMG-412680

Remove the clip.

Remove the marked part.

Repeat on the other side.



IMG-412681

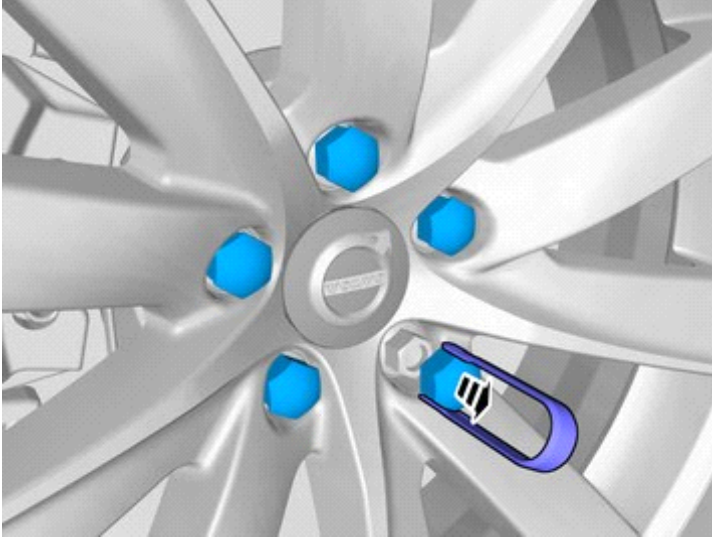
Remove the screws.



Installation instructions, accessories

Volvo Car Corporation Gothenburg, Sweden

113

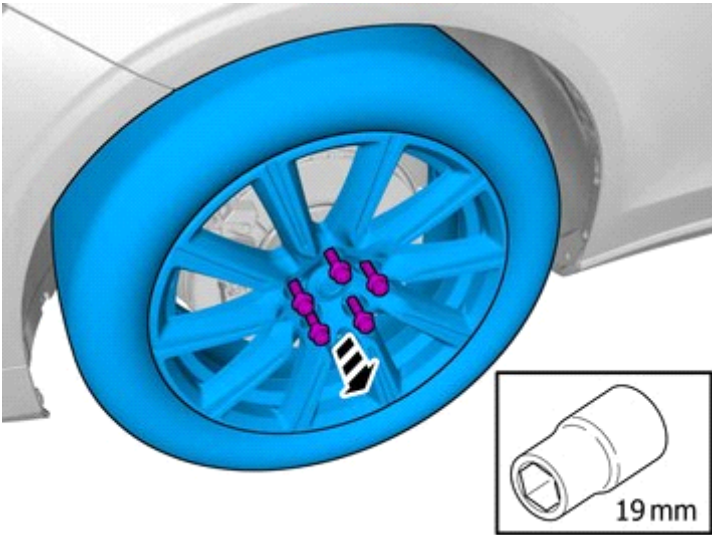


IMG-403425

Remove the marked part.

Use: Pliers

114

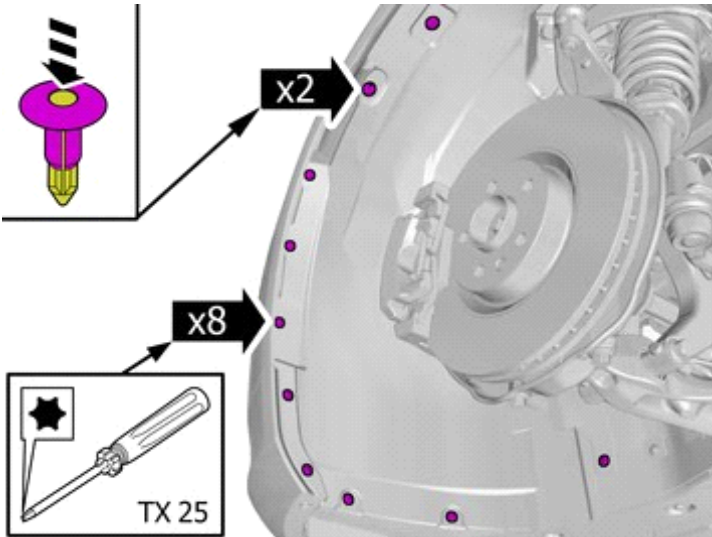


IMG-415975

Remove the screws.

Remove the marked part.

115



IMG-412692

Remove the clips.

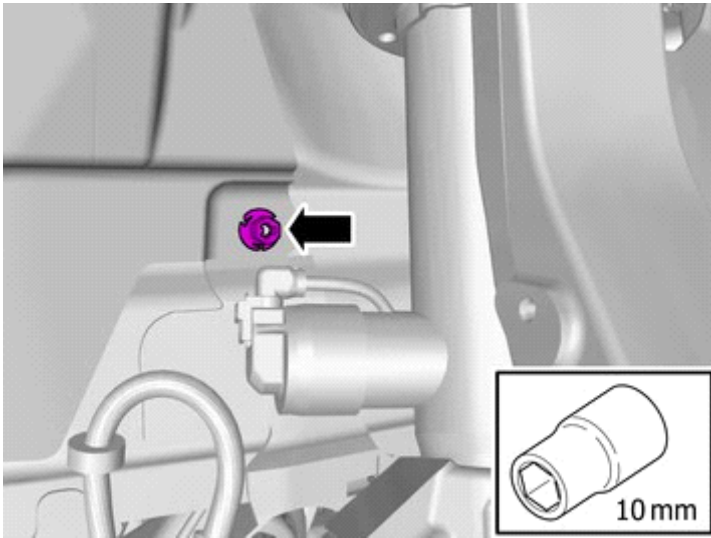
Remove the screws.



Installation instructions, accessories

Volvo Car Corporation Gothenburg, Sweden

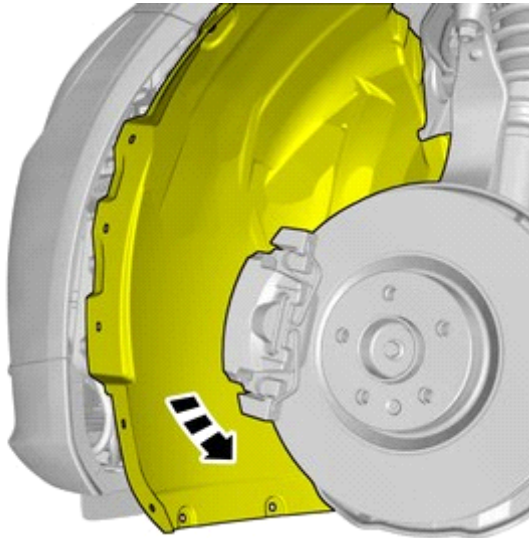
116



IMG-412697

Remove the nut.

117



IMG-412710

Fold the wing liner to one side.

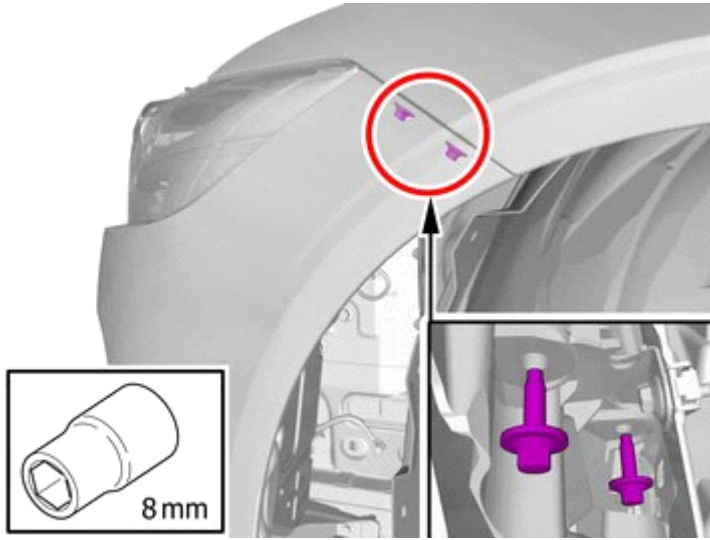


Installation instructions, accessories

Volvo Car Corporation Gothenburg, Sweden

118

Remove the screws.



IMG-412715

119

Repeat the steps when removing on opposite side.

IMG-400000

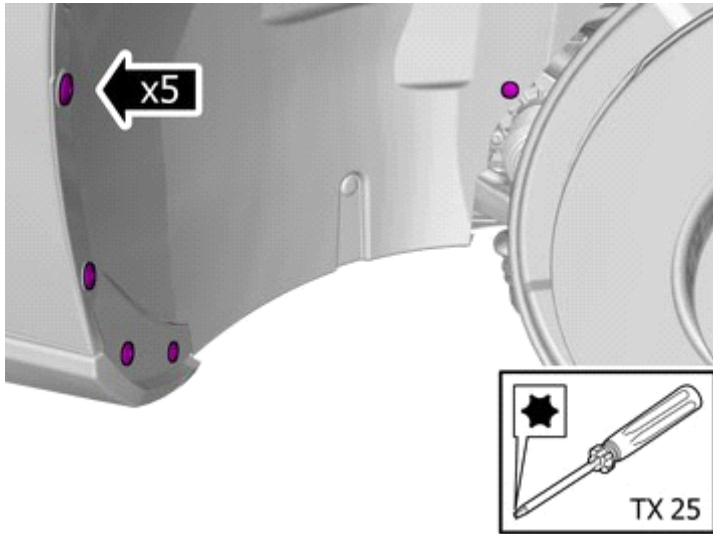
Applies to the right-hand side



Installation instructions, accessories

Volvo Car Corporation Gothenburg, Sweden

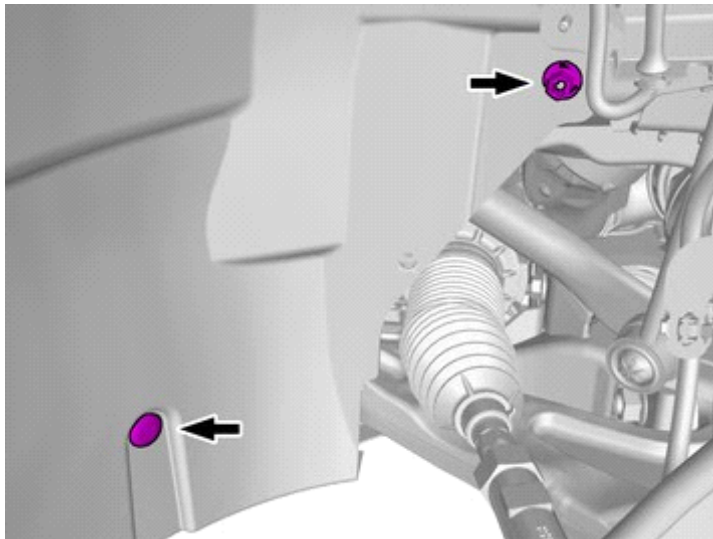
120



IMG-420880

Remove the screws.

121

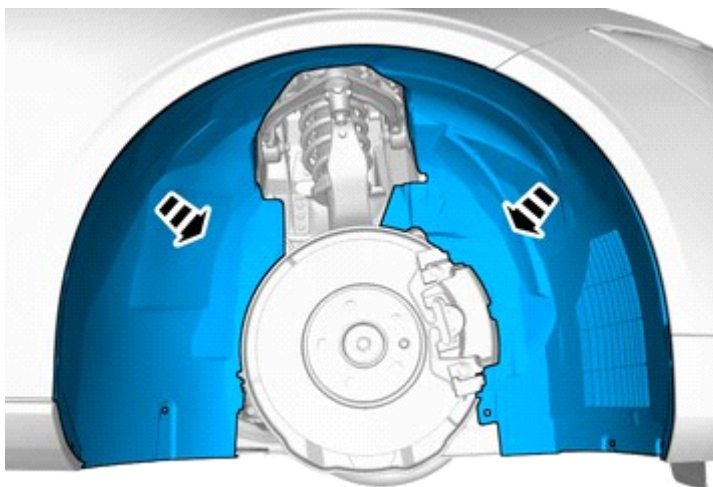


IMG-420881

Remove the clip.

Remove the nut.

122



IMG-420883

Remove the marked part.

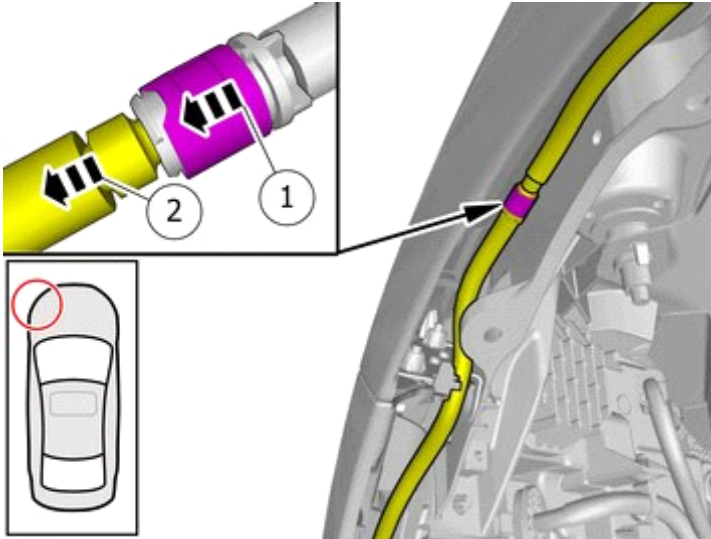


Installation instructions, accessories

Volvo Car Corporation Gothenburg, Sweden

Vehicles with headlamp washers

123



IMG-412745

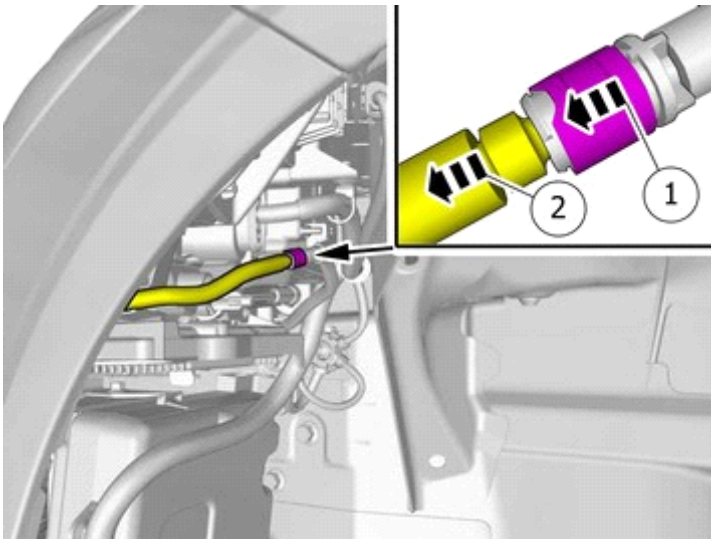
Warning!

Be prepared to collect escaping fluid.

Release the lock.

Loosen the marked detail/details.

124



IMG-412750

Warning!

Be prepared to collect escaping fluid.

Release the lock.

Loosen the marked detail/details.

Repeat on the other side.

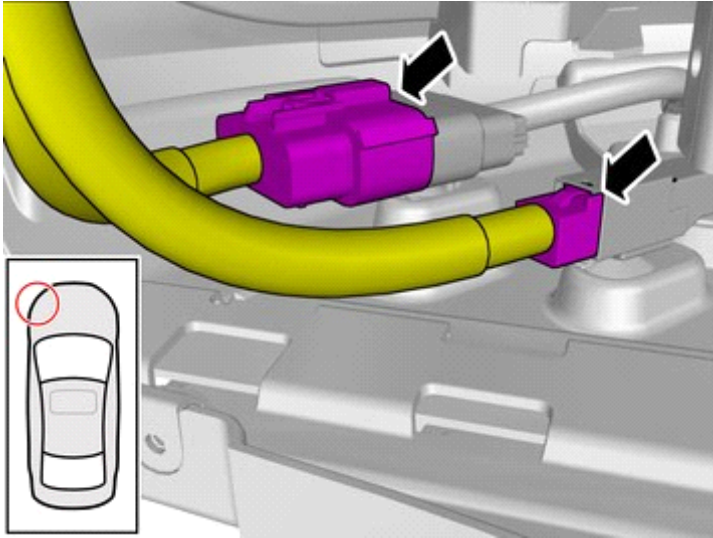
All vehicles



Installation instructions, accessories

Volvo Car Corporation Gothenburg, Sweden

125



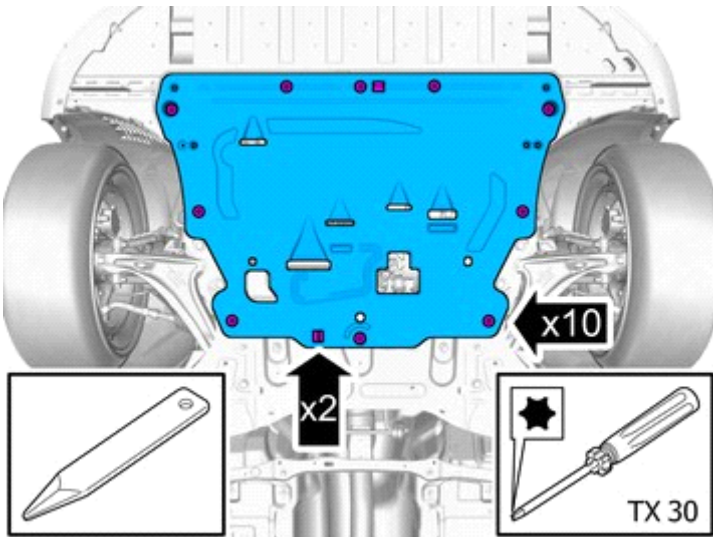
IMG-412730

Note!

The number of connectors may vary depending on the vehicle's equipment level.

Disconnect the connectors.

126



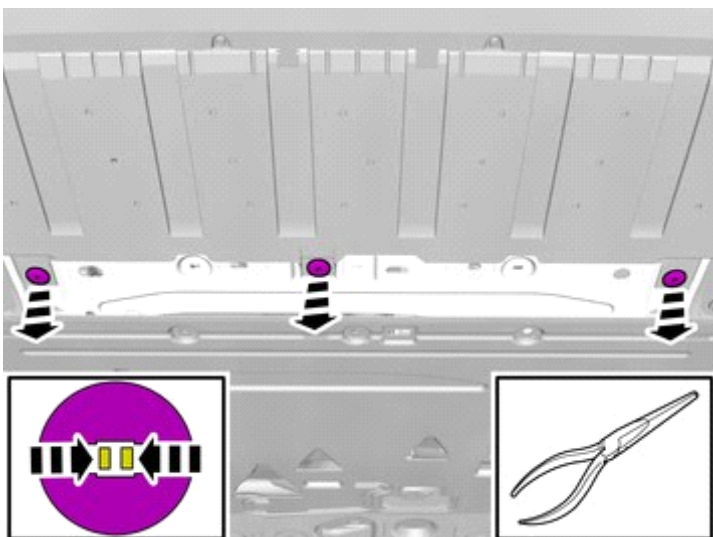
IMG-420663

Remove the clips.

Remove the screws.

Remove the marked part.

127



IMG-412725

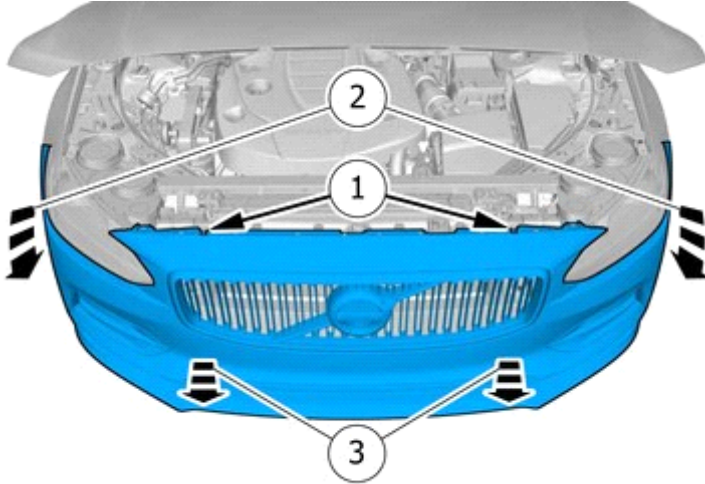
Remove the clips.



Installation instructions, accessories

Volvo Car Corporation Gothenburg, Sweden

128



IMG-412771

Caution!

Place the Bumper Cover on a suitable surface.

Note!

This step is easier with two people.

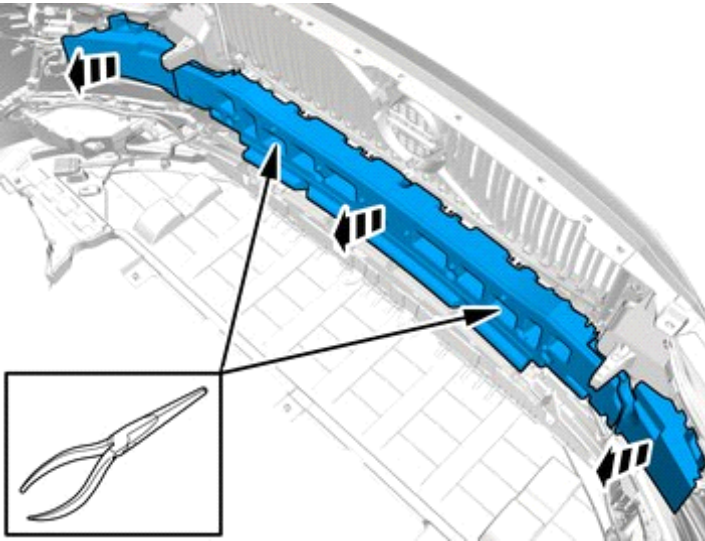
Release the catches.

Remove the part carefully

Remove the marked part.

Concerns US and Canadian markets.

129



IMG-420729

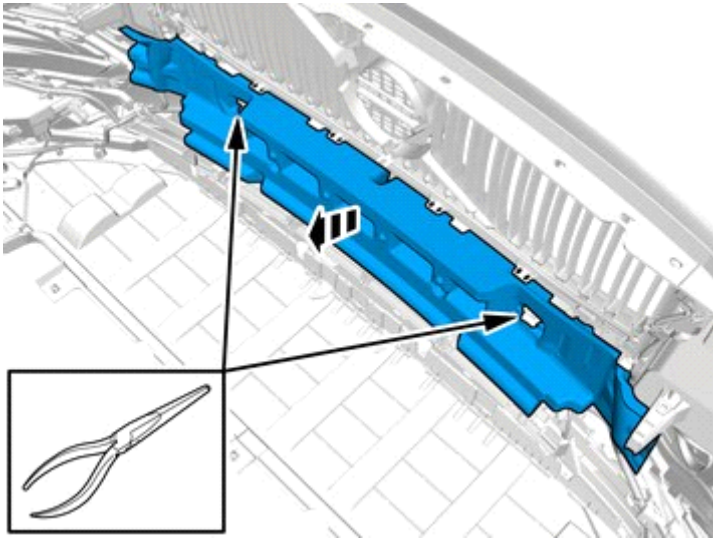
Applies to all markets, except USA and Canada



Installation instructions, accessories

Volvo Car Corporation Gothenburg, Sweden

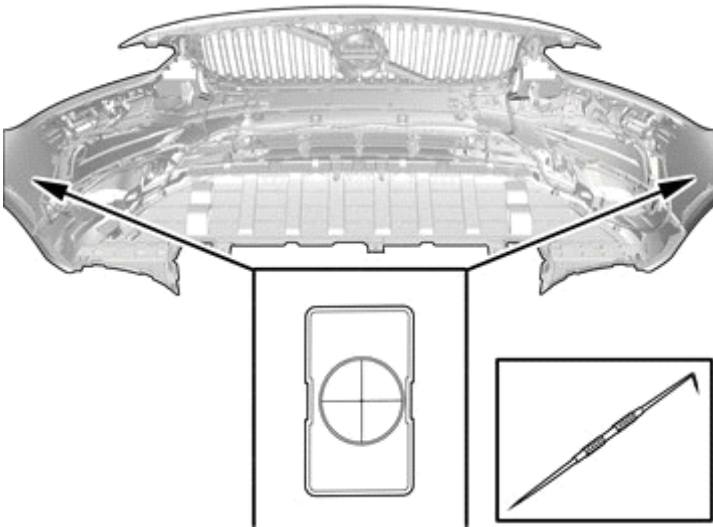
130



IMG-420730

Applies to all markets.

131



IMG-420744

Locate the markings for the positions.

Mark the centre.

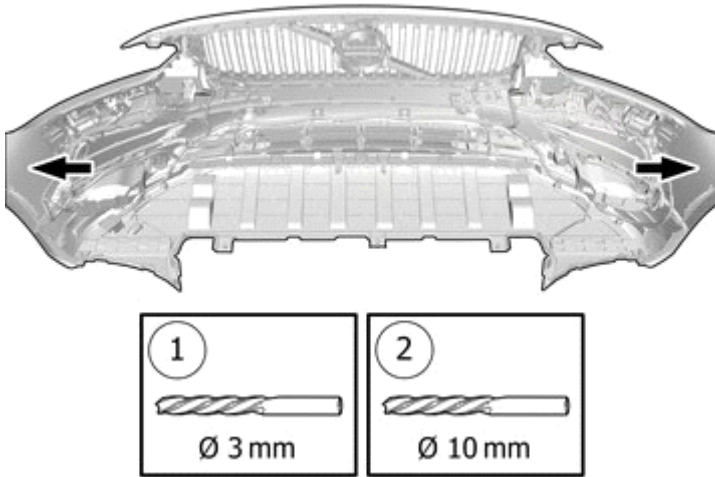
Use: Scribe



Installation instructions, accessories

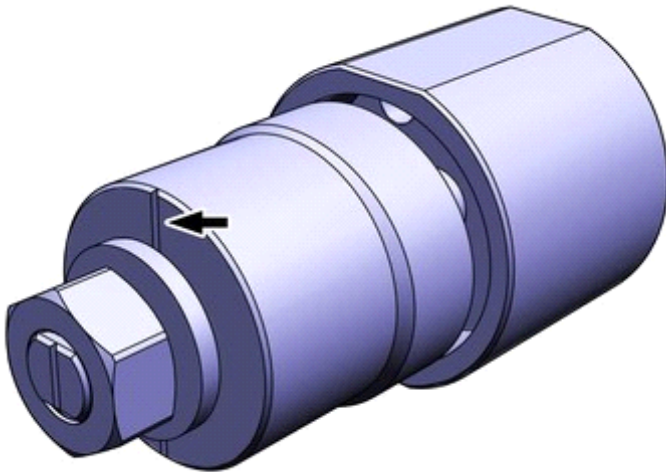
Volvo Car Corporation Gothenburg, Sweden

132



IMG-420743

133



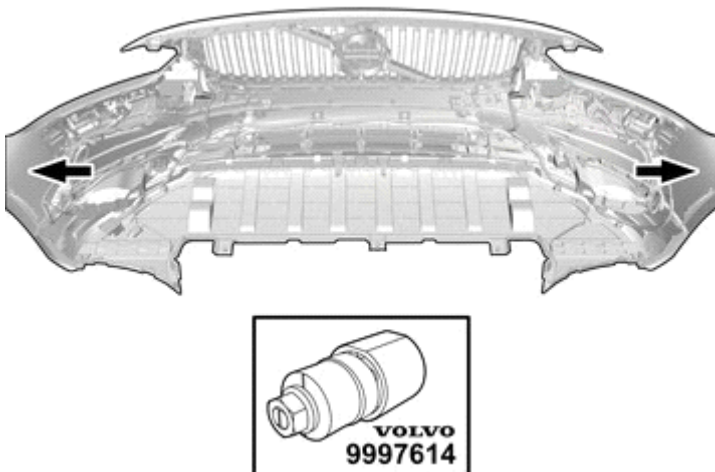
IMG-420735

Caution!

Ensure that the marking is vertical.

Use special tool: T9997614, Hole punch

134



IMG-420741

Caution!

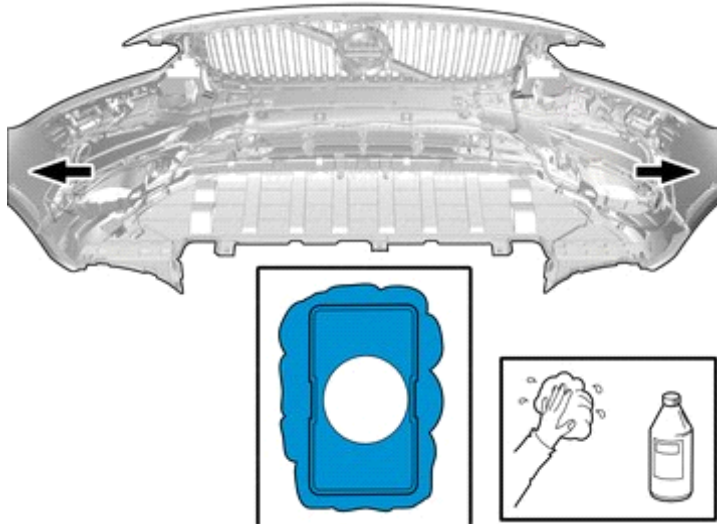
Sharp end of tool must be on outside of cover.



Installation instructions, accessories

Volvo Car Corporation Gothenburg, Sweden

135



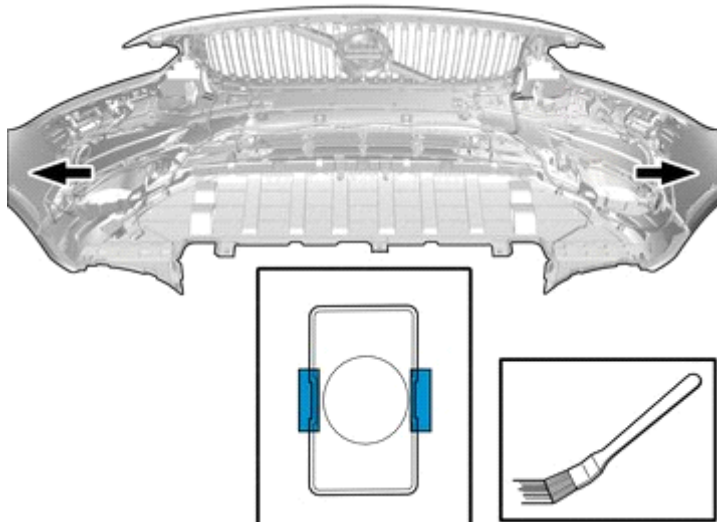
IMG-420745

Clean the surfaces.

Use: , Isopropanol

Allow to dry.

136



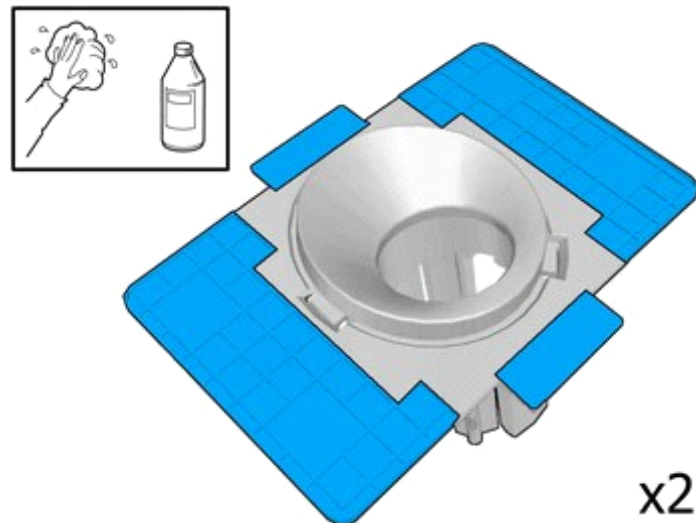
IMG-420746

Apply a thin and even layer.

Use: 1161765, Primer

Allow to dry for at least 2 minutes, but no more than 60minutes.

137



IMG-420752

Clean the surfaces.

Use: , Isopropanol

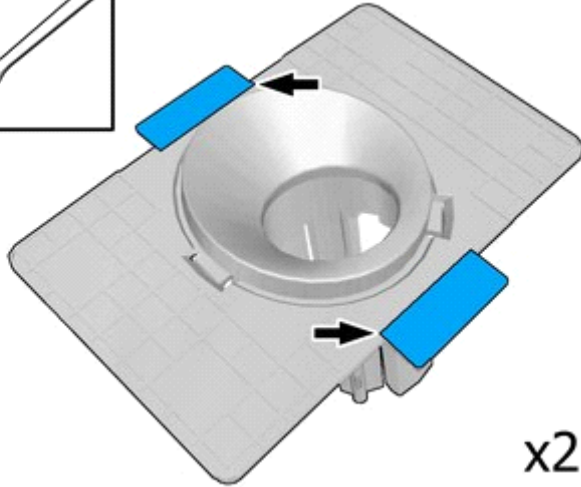
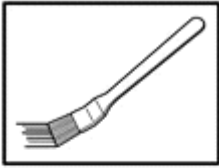
Allow to dry.



Installation instructions, accessories

Volvo Car Corporation Gothenburg, Sweden

138



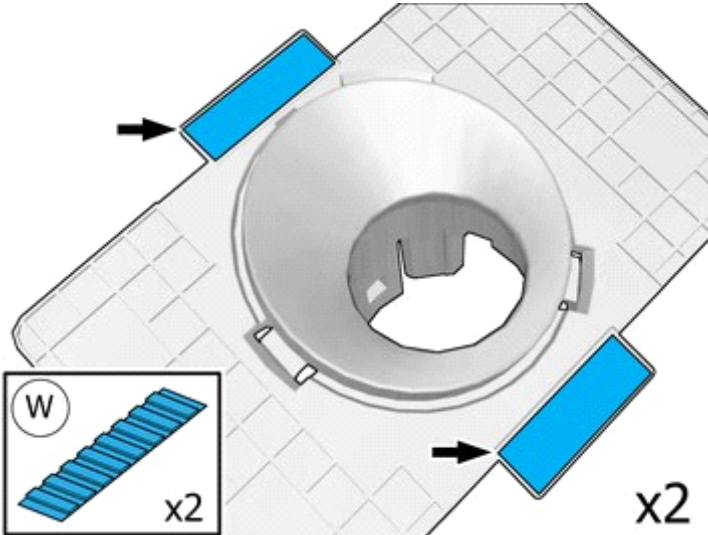
Apply a thin and even layer.

Use: 1161765, Primer

Allow to dry for at least 2 minutes, but no more than 60minutes.

IMG-420753

139



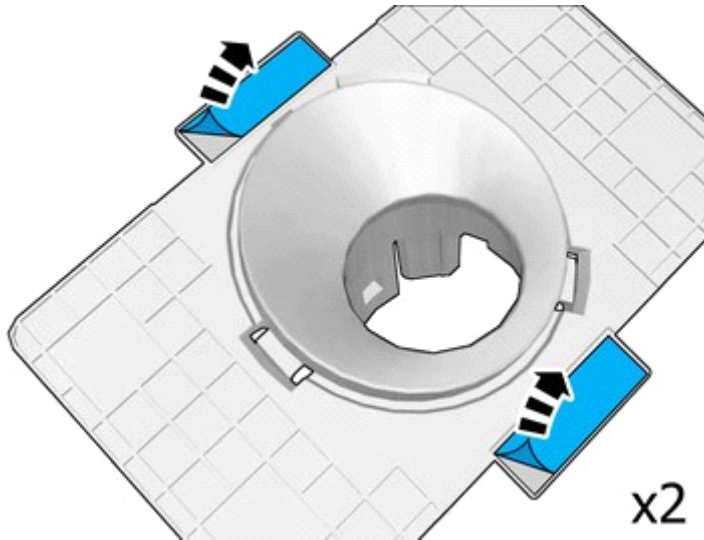
IMG-420763



Installation instructions, accessories

Volvo Car Corporation Gothenburg, Sweden

140



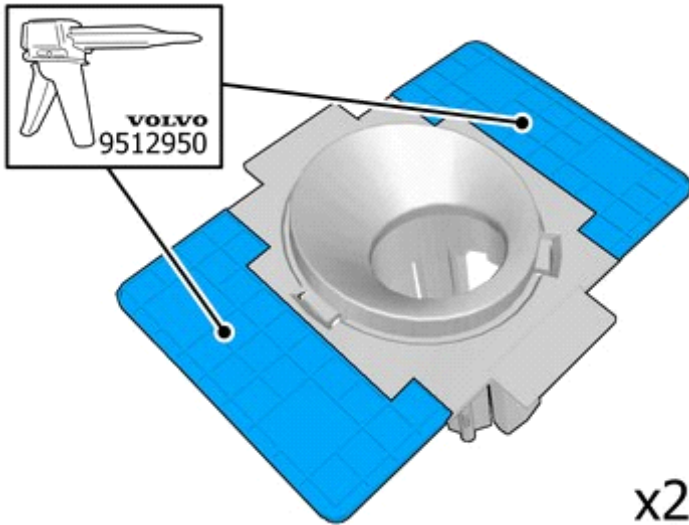
IMG-420820

Note!

Prepare and install one holder at a time.

Remove the protective film.

141



IMG-420755

Warning!

Wear protective gloves.

Warning!

Make sure to provide adequate ventilation.

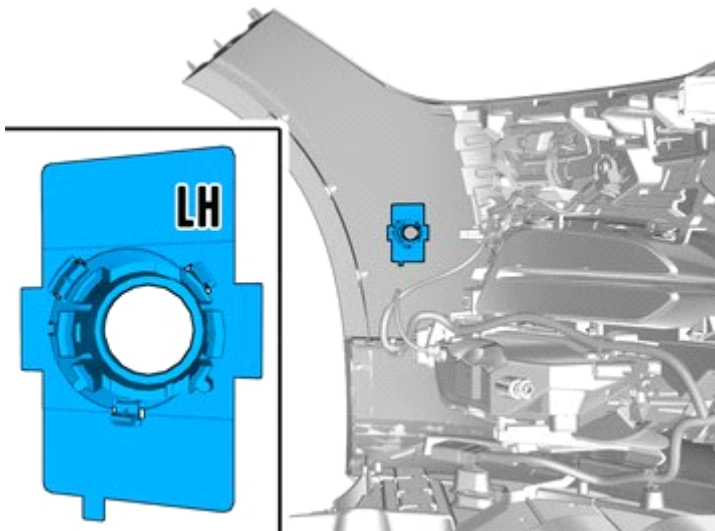
Apply a thin and even layer.

Use special tool: T9512950, Glue gun (kit)

Use: 1161730, Mixing pipe

Use: 9511027, Glue

142



IMG-420760

Note!

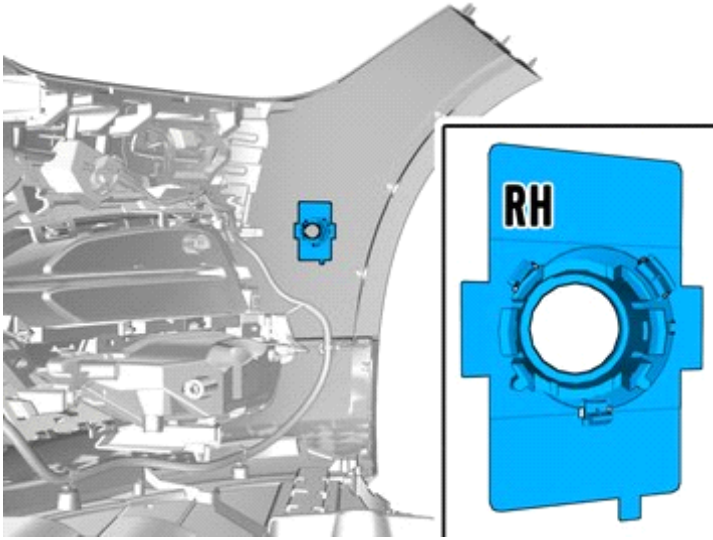
Note the position.



Installation instructions, accessories

Volvo Car Corporation Gothenburg, Sweden

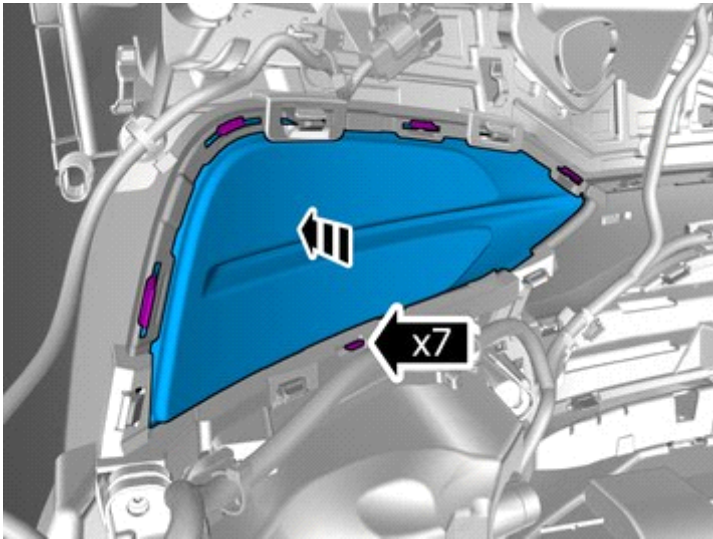
143



IMG-420761

Note!
Note the position.

144



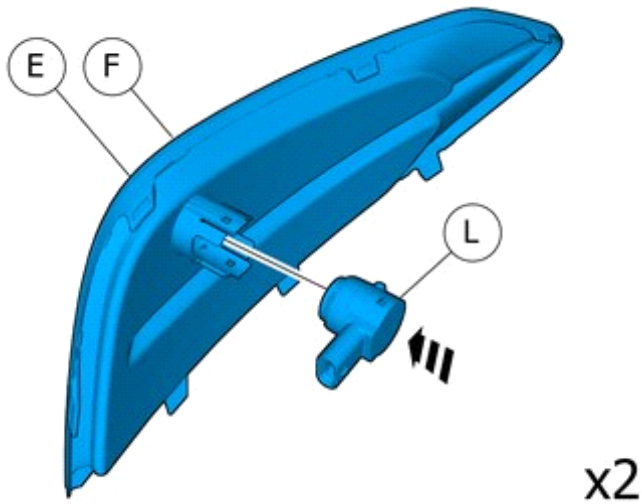
IMG-420762

Remove the marked part.

The part is not to be reused.

Repeat on the other side.

145



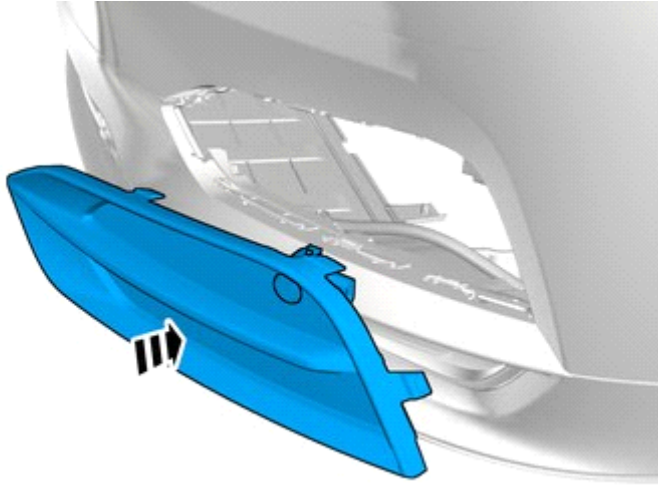
IMG-420765



Installation instructions, accessories

Volvo Car Corporation Gothenburg, Sweden

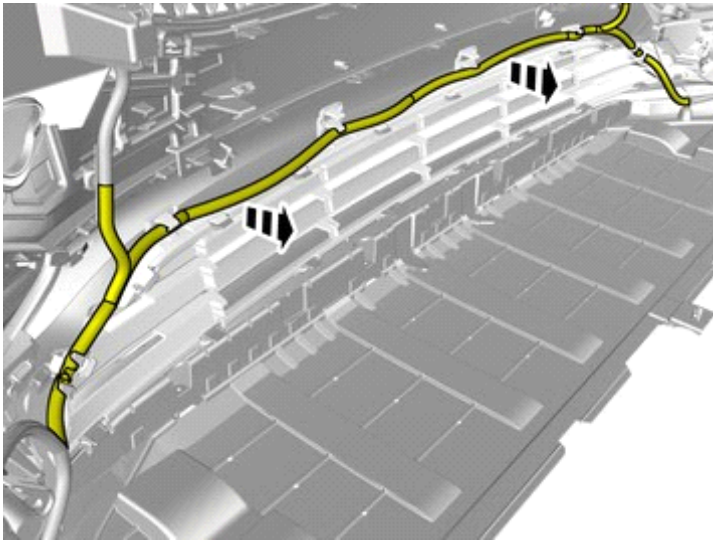
146



Repeat on the other side.

IMG-420766

147



Loosen the wiring harness or move it to the side.

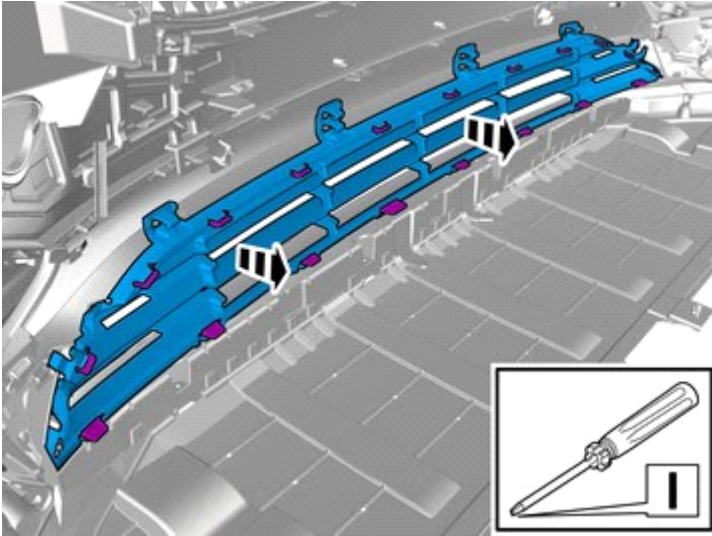
IMG-420774



Installation instructions, accessories

Volvo Car Corporation Gothenburg, Sweden

148



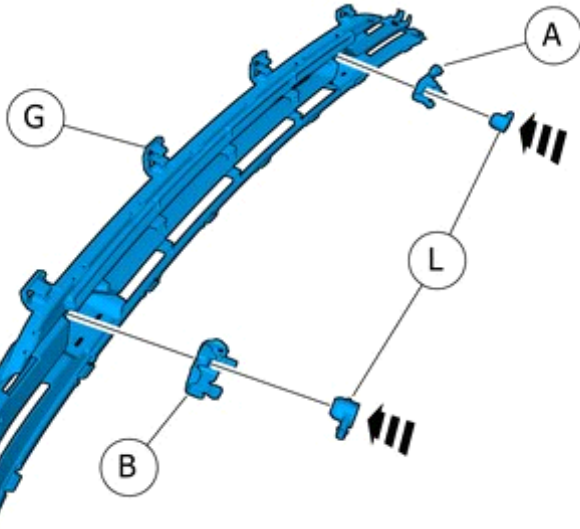
IMG-420793

Release the catches.

Remove the marked part.

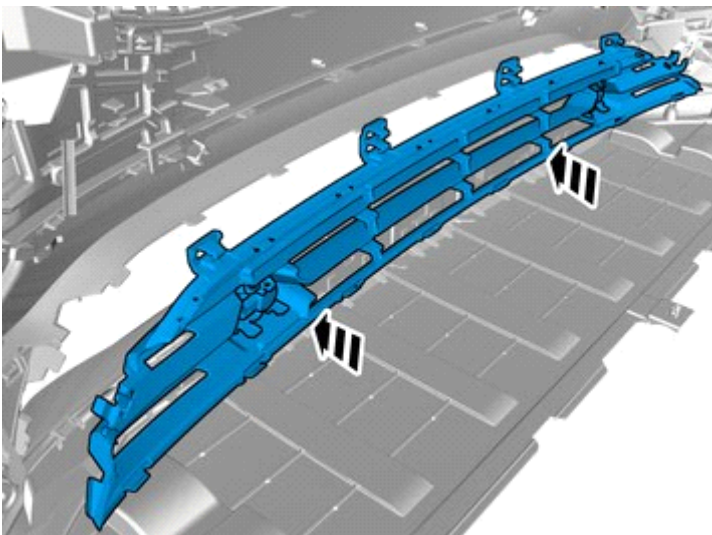
The part is not to be reused.

149



IMG-420821

150



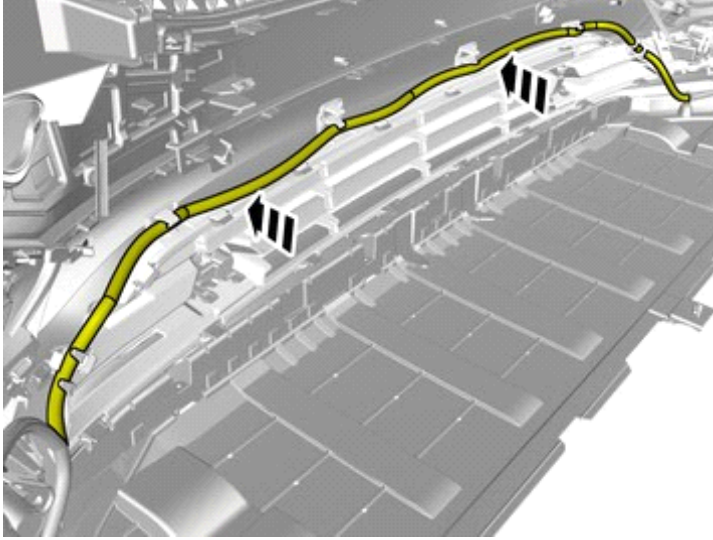
IMG-420822



Installation instructions, accessories

Volvo Car Corporation Gothenburg, Sweden

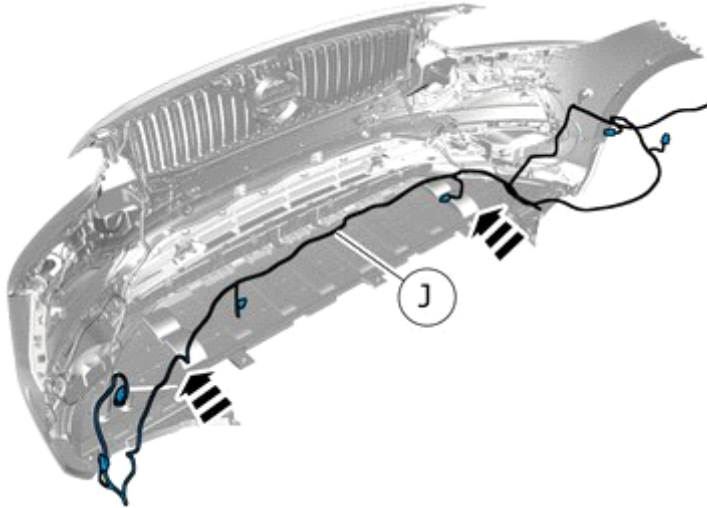
151



IMG-420823

Install the wiring harness.

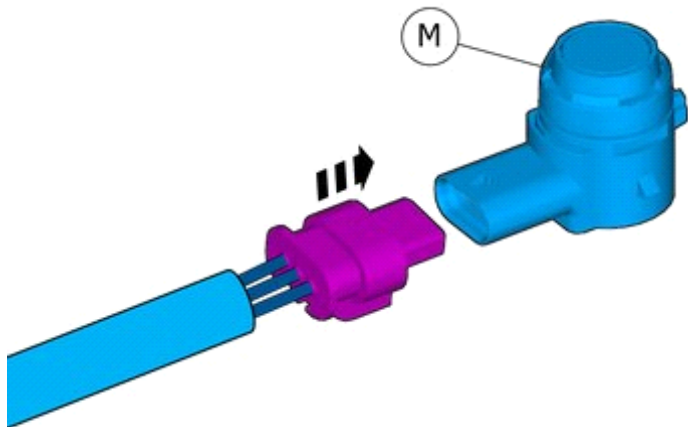
152



IMG-420825

Put the wiring in the Bumper cover without installing the wiring.

153



x2

Connect the two painted sensors to the external connections.

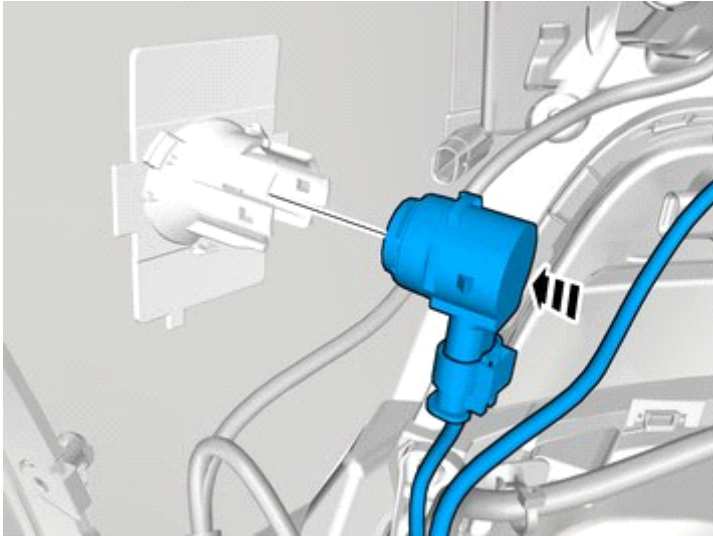
IMG-420033



Installation instructions, accessories

Volvo Car Corporation Gothenburg, Sweden

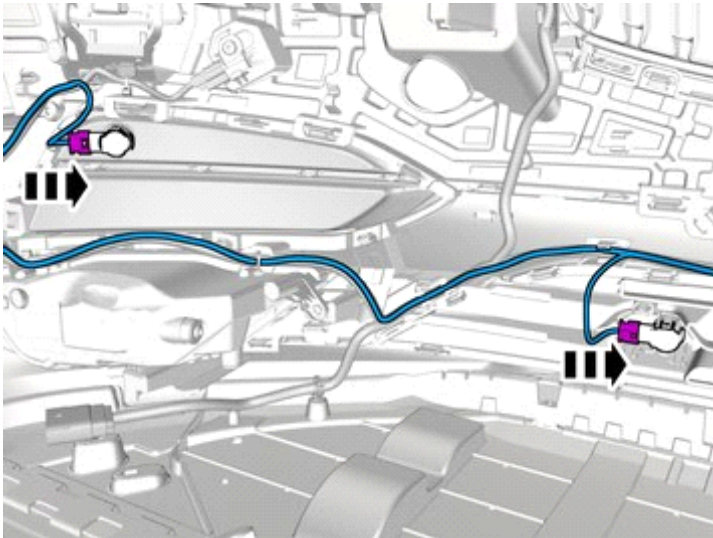
154



IMG-420826

Repeat on the other side.

155



IMG-420830

Repeat on the other side.

Connect the connectors.

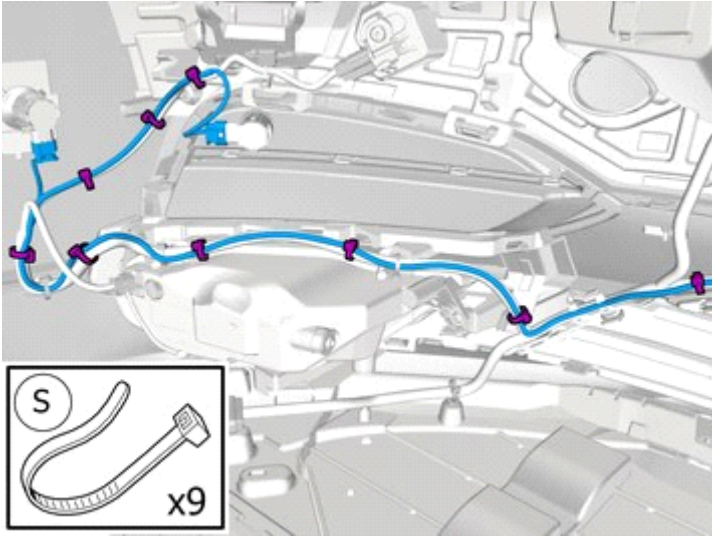
Vehicle variant with cable harness



Installation instructions, accessories

Volvo Car Corporation Gothenburg, Sweden

156



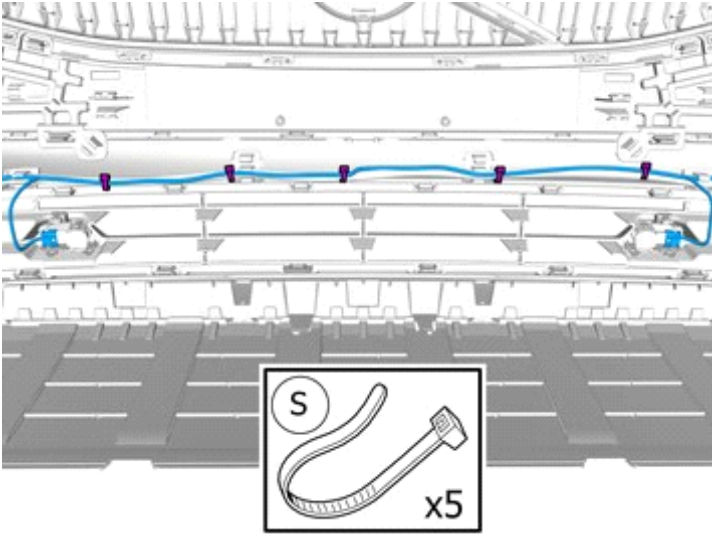
IMG-420835

Route the cable harness to the existing cable harness.

Install the wiring harness.

Use a cable tie

157



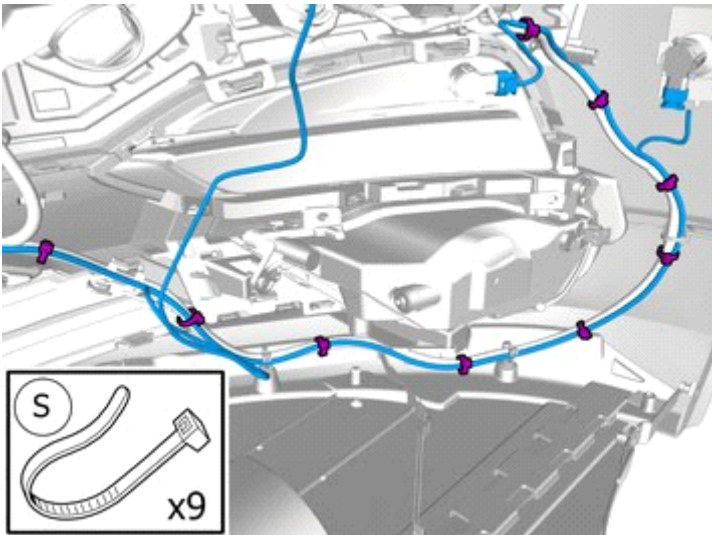
IMG-420845

Route the cable harness to the existing cable harness.

Install the wiring harness.

Use a cable tie

158



IMG-420850

Route the cable harness to the existing cable harness.

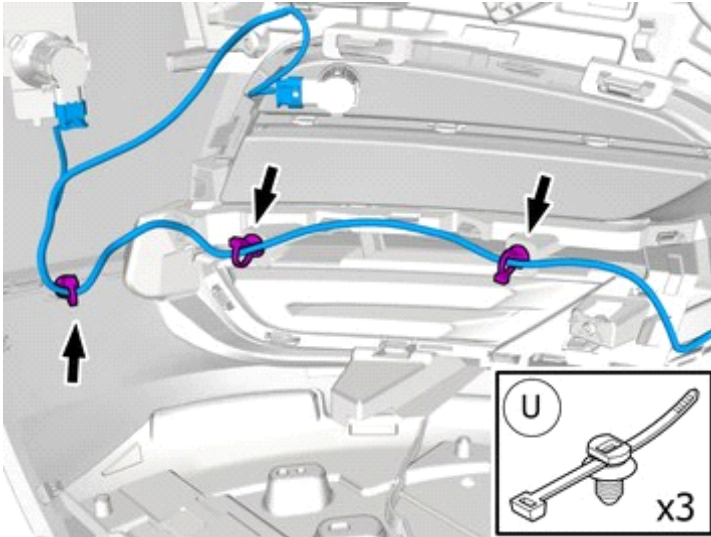
Install the wiring harness.

Use a cable tie



Vehicle variant without cable harness

159



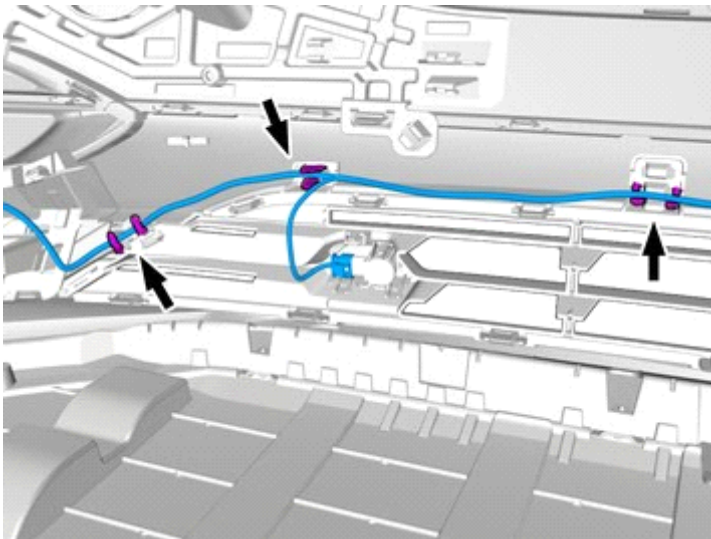
IMG-420870

Position/route the cable harness as illustrated.

Install the wiring harness.

Use a cable tie

160



IMG-420871

Position/route the cable harness as illustrated.

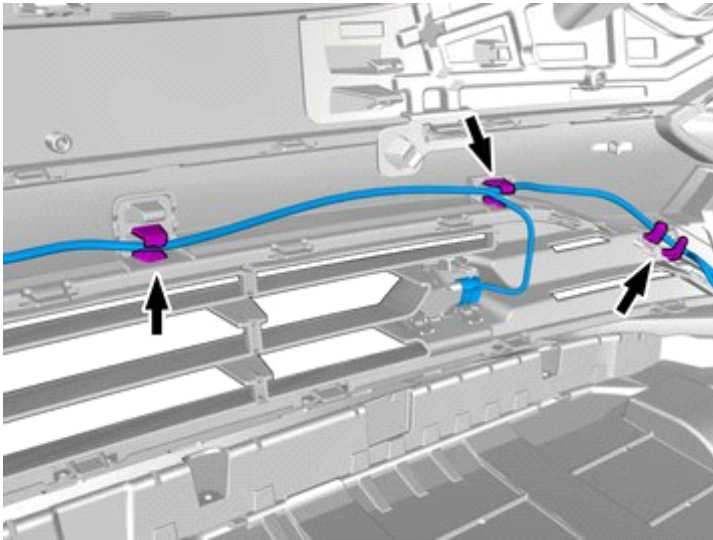
Install the wiring harness.



Installation instructions, accessories

Volvo Car Corporation Gothenburg, Sweden

161

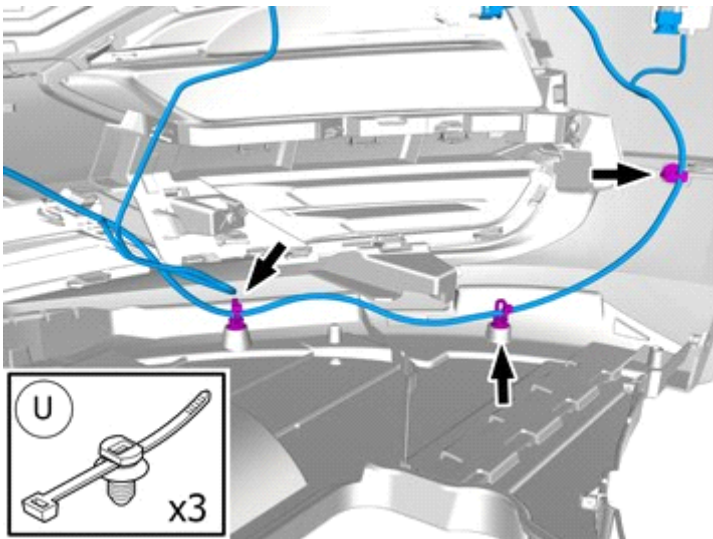


IMG-420875

Position/route the cable harness as illustrated.

Install the wiring harness.

162



IMG-420876

Position/route the cable harness as illustrated.

Install the wiring harness.

Use a cable tie

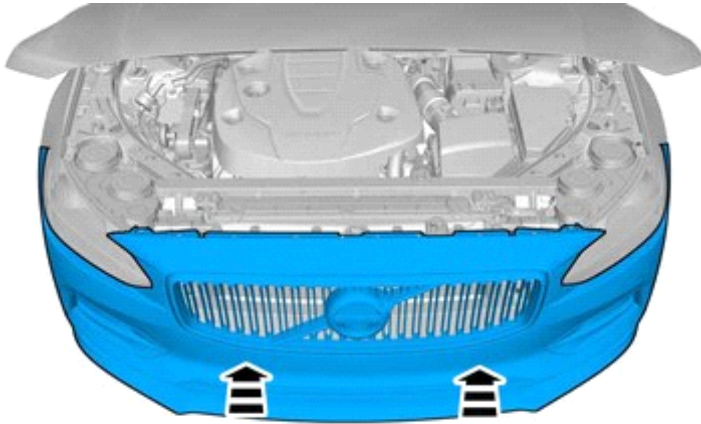
All vehicles



Installation instructions, accessories

Volvo Car Corporation Gothenburg, Sweden

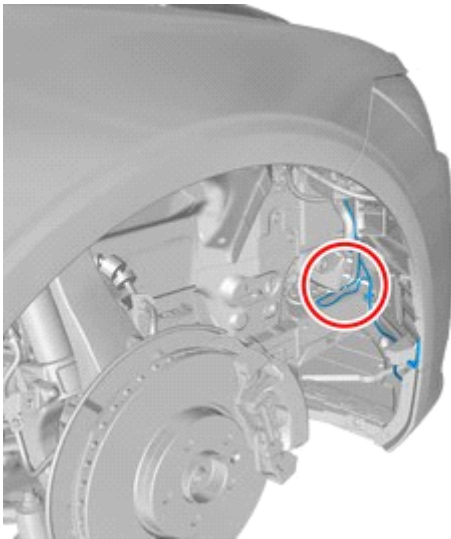
163



Reinstall the bumper.

IMG-420878

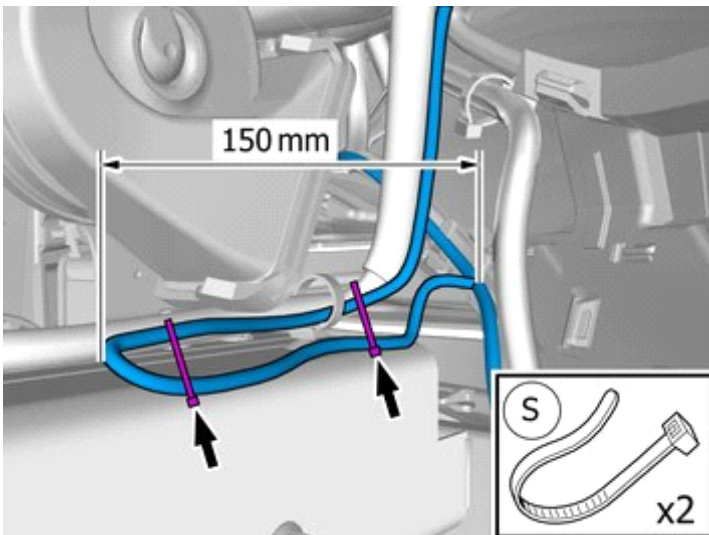
164



IMG-420901

Note!
Orientation view

165



IMG-420900

Position the cable harness excess as illustrated.

Install the wiring harness.

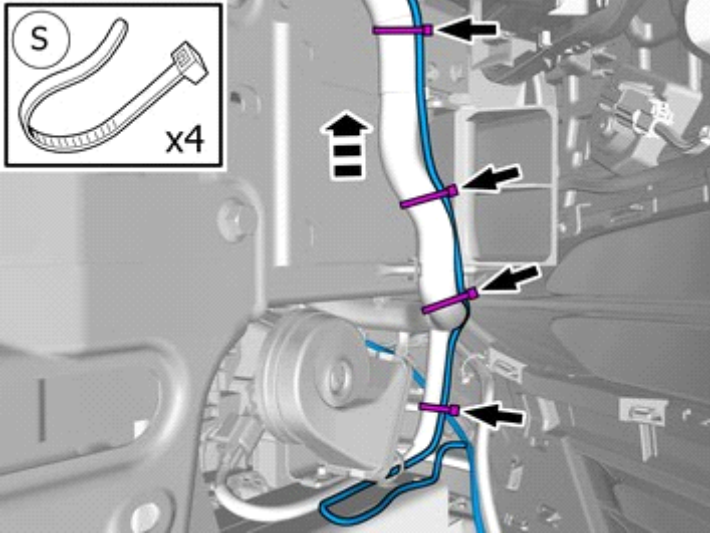
Use a cable tie



Installation instructions, accessories

Volvo Car Corporation Gothenburg, Sweden

166



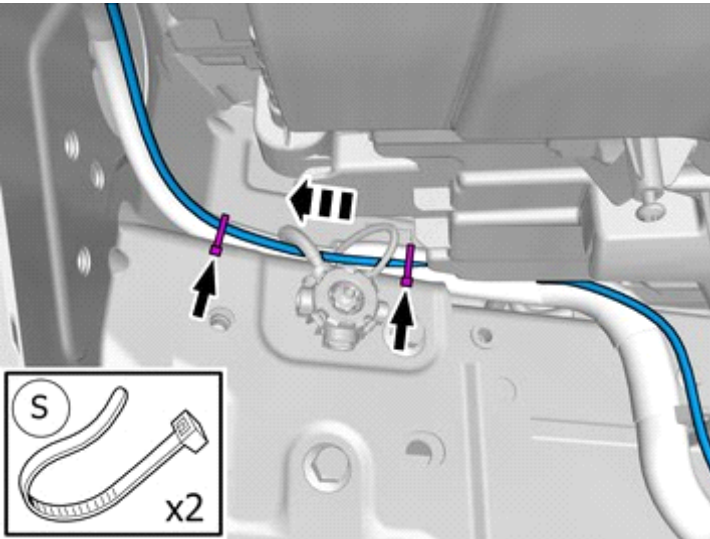
IMG-420905

Route the cable harness to the existing cable harness.

Install the wiring harness.

Use a cable tie

167



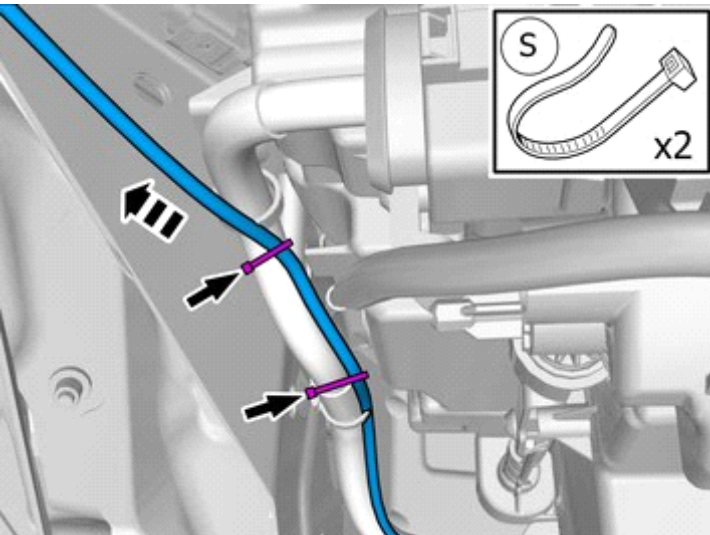
IMG-420927

Route the cable harness to the existing cable harness.

Install the wiring harness.

Use a cable tie

168



IMG-420928

Route the cable harness to the existing cable harness.

Install the wiring harness.

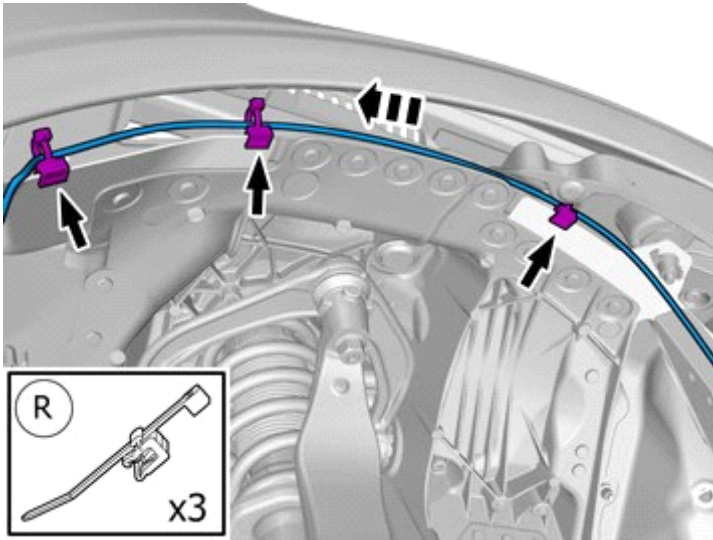
Use a cable tie



Installation instructions, accessories

Volvo Car Corporation Gothenburg, Sweden

169



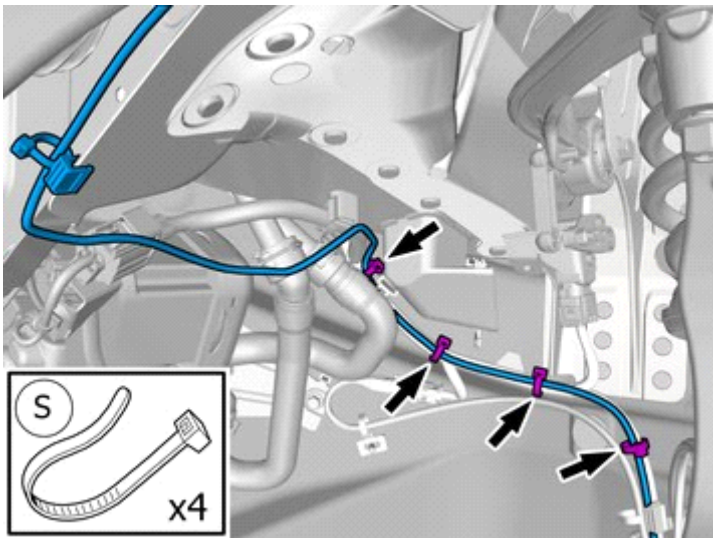
IMG-420929

Position/route the cable harness as illustrated.

Install the wiring harness.

Use a cable tie

170



IMG-421017

Position/route the cable harness as illustrated.

Install the wiring harness.

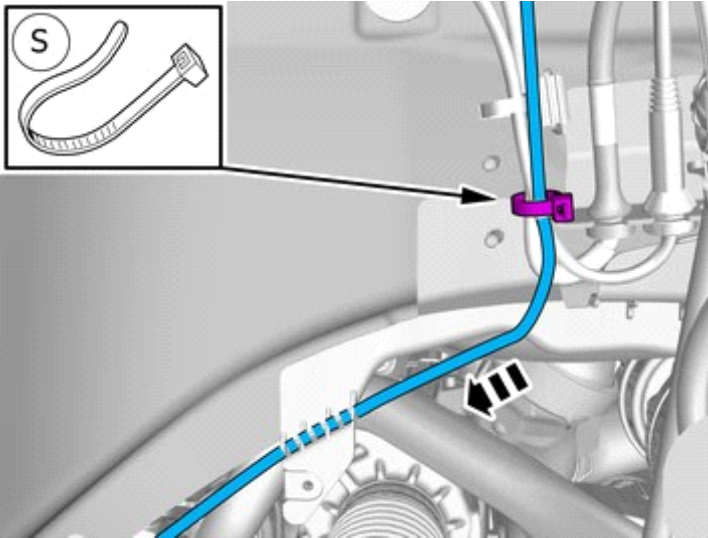
Use a cable tie



Installation instructions, accessories

Volvo Car Corporation Gothenburg, Sweden

171



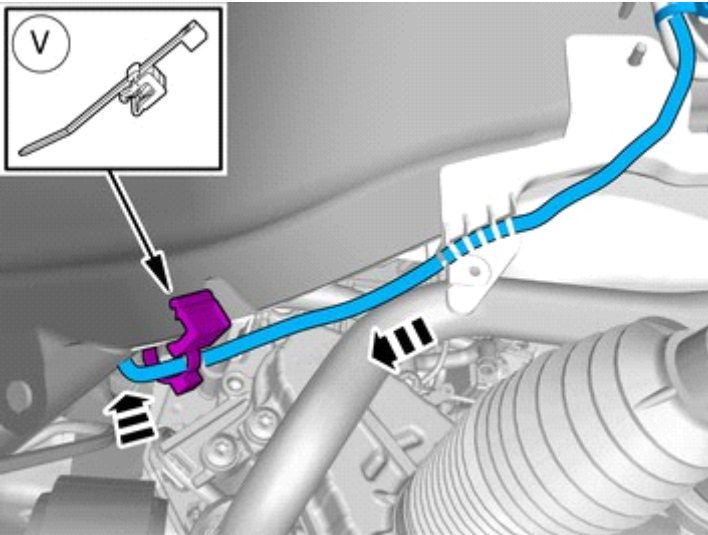
IMG-421321

Position/route the cable harness as illustrated.

Install the wiring harness.

Use a cable tie

172



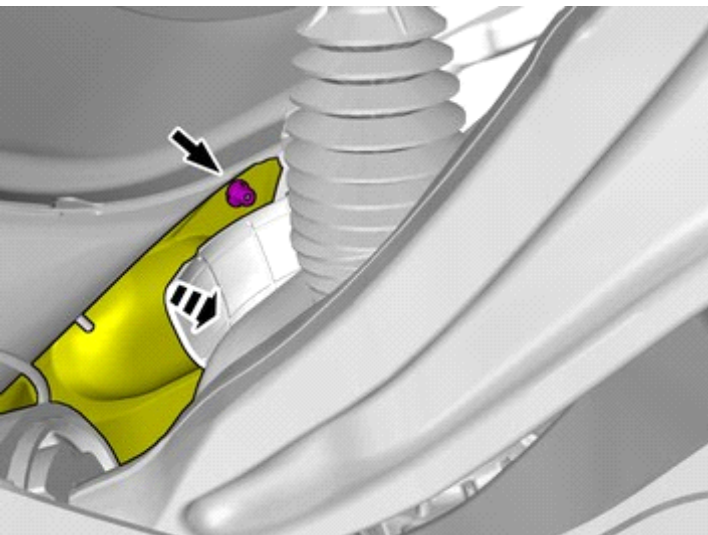
IMG-421335

Position/route the cable harness as illustrated.

Install the wiring harness.

Use a cable tie

173



IMG-421323

Remove the nut.

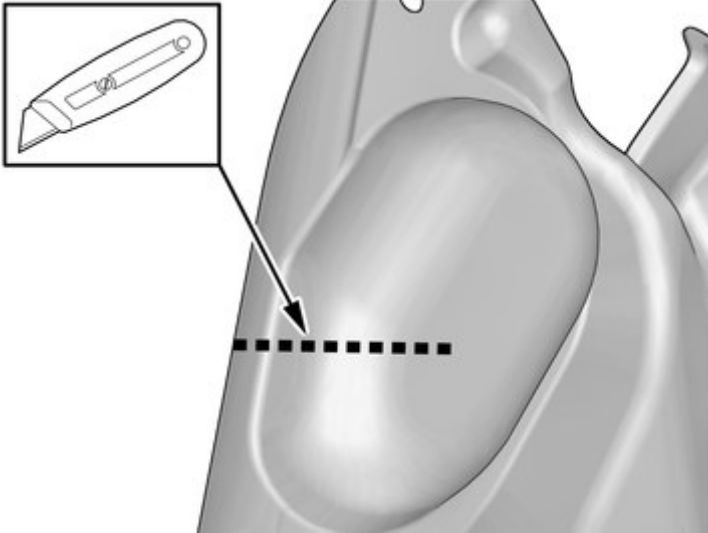
Fold the insulation to one side.



Installation instructions, accessories

Volvo Car Corporation Gothenburg, Sweden

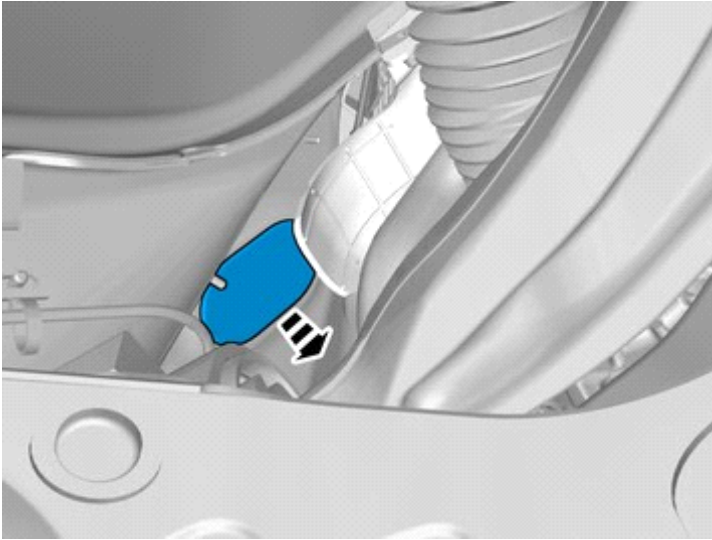
174



IMG-402286

Make a cut in the insulation.

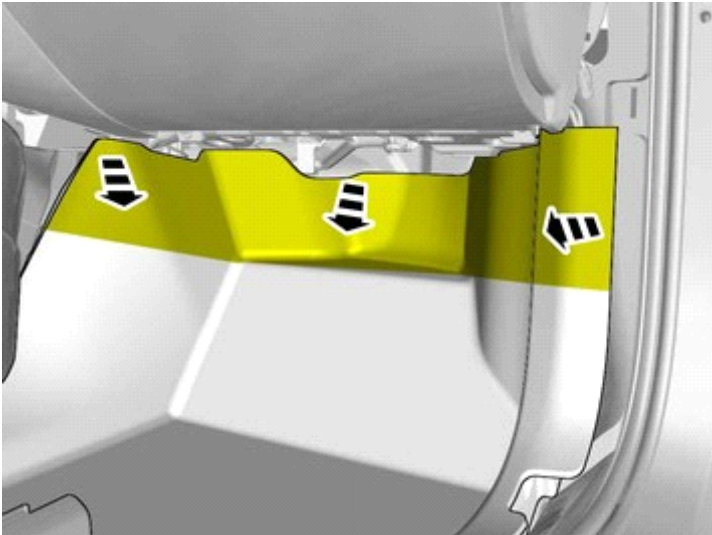
175



IMG-421325

Remove the marked part.

176



IMG-421024

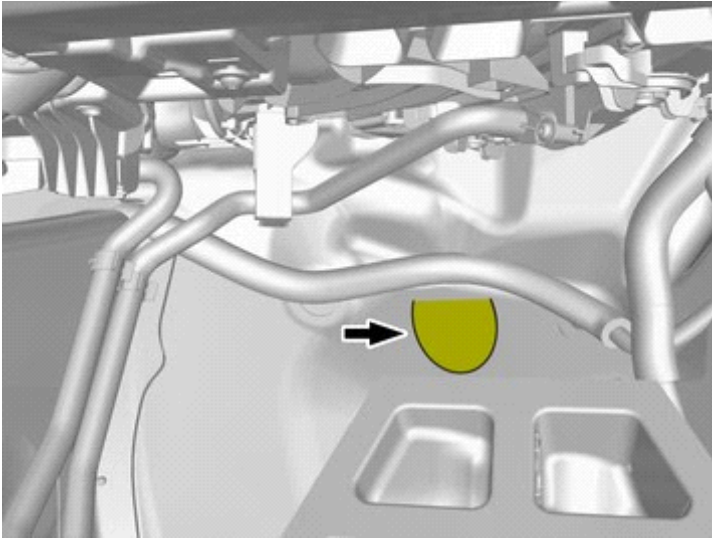
Fold the carpet to the side.



Installation instructions, accessories

Volvo Car Corporation Gothenburg, Sweden

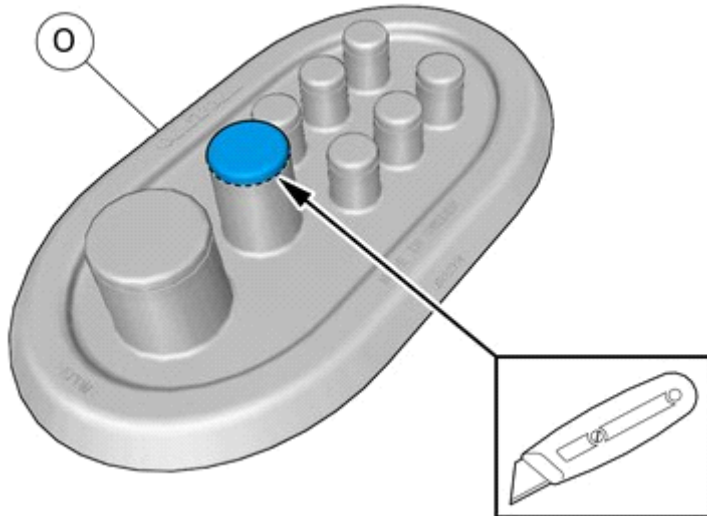
177



IMG-421025

Fold the insulation to one side.

178



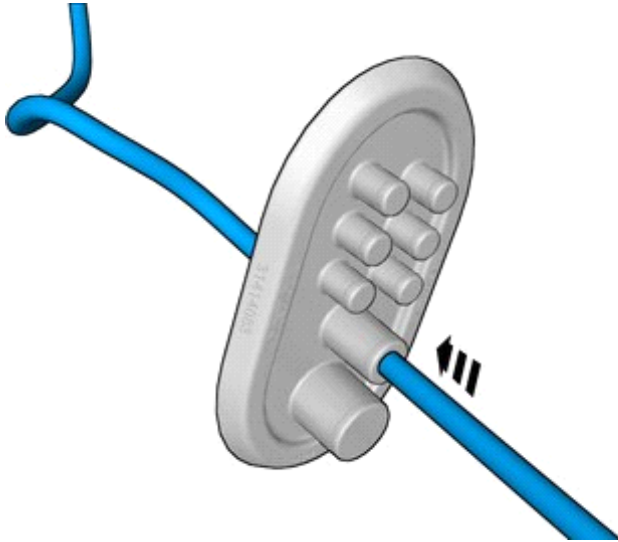
IMG-421020



Installation instructions, accessories

Volvo Car Corporation Gothenburg, Sweden

179



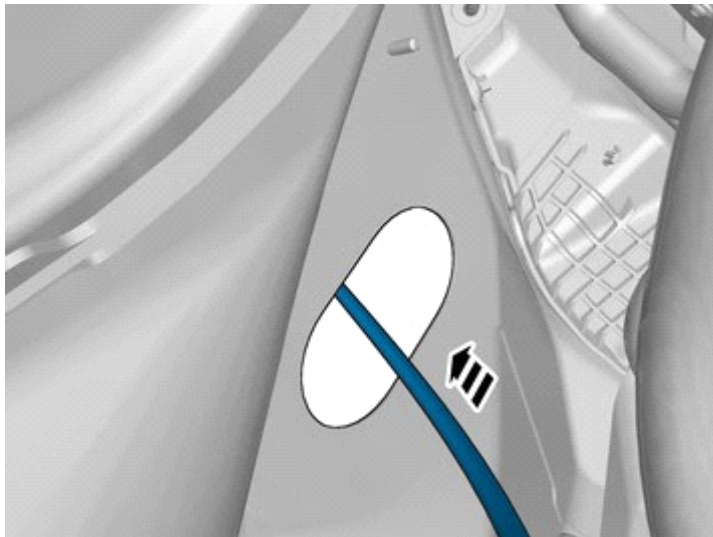
IMG-402238

Pull the wiring through.

Use: 1161150, Lubricant

Use special tool: T9814204, Expander pliers

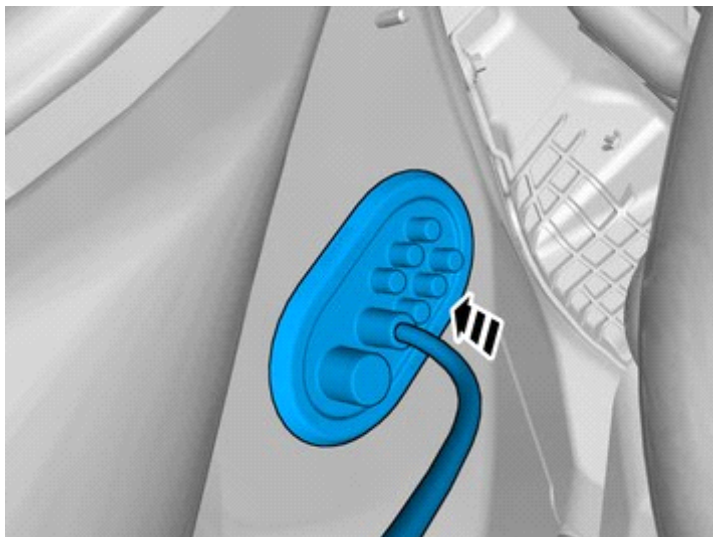
180



IMG-402275

Route the wiring harness into the passenger compartment.

181



IMG-402277

Caution!

Make sure that the rubber grommet seals properly to the body.

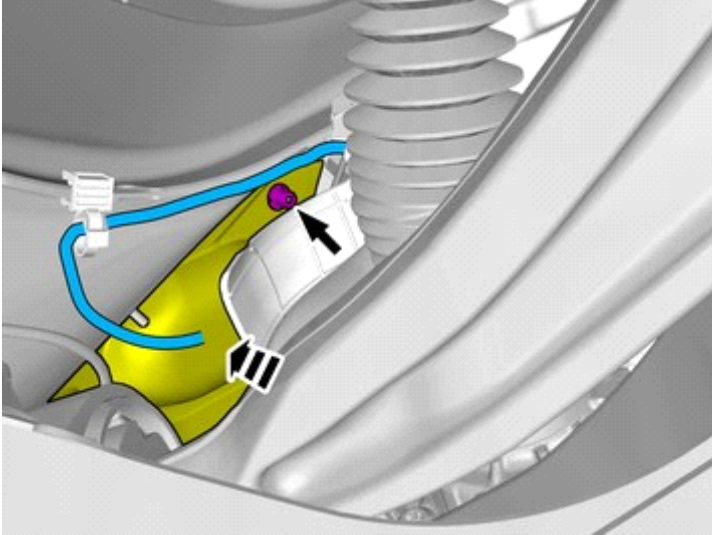
Insert the cable in to the passenger compartment, adjust the cable length out into the engine compartment and secure the rubber grommet.



Installation instructions, accessories

Volvo Car Corporation Gothenburg, Sweden

182

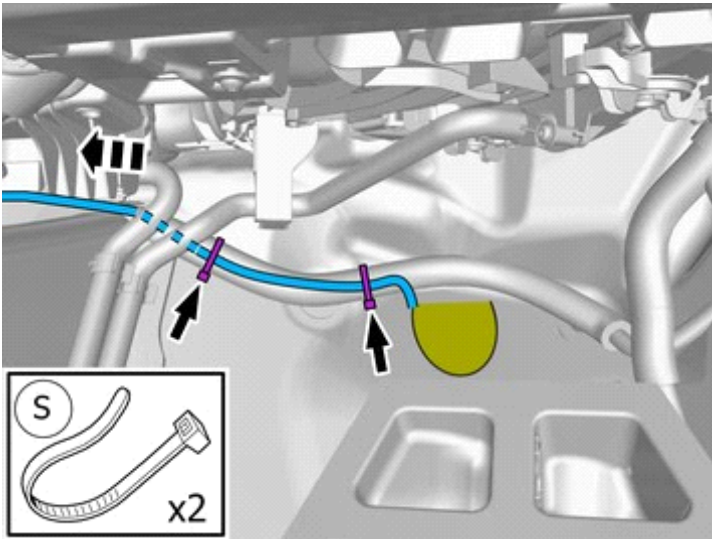


IMG-421375

Refit the insulation.

Install the nut.

183



IMG-421030

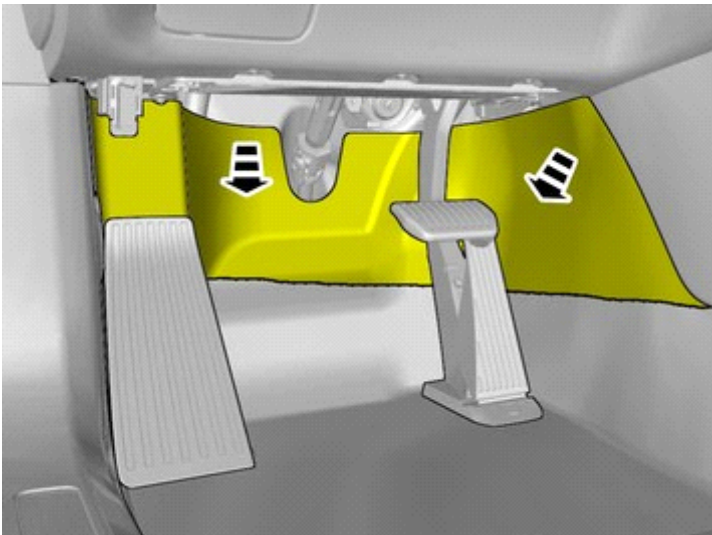
Position/route the cable harness as illustrated.

Install the wiring harness.

Use a cable tie

Pull the wiring through.

184



IMG-386826

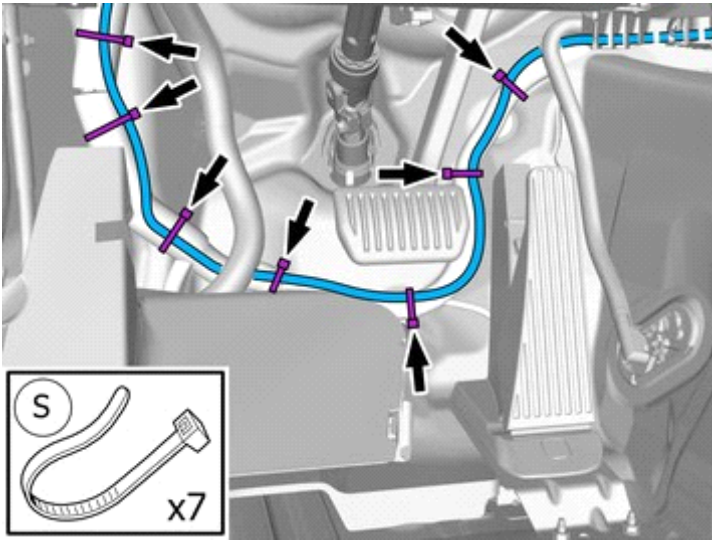
Fold the carpet to the side.



Installation instructions, accessories

Volvo Car Corporation Gothenburg, Sweden

185



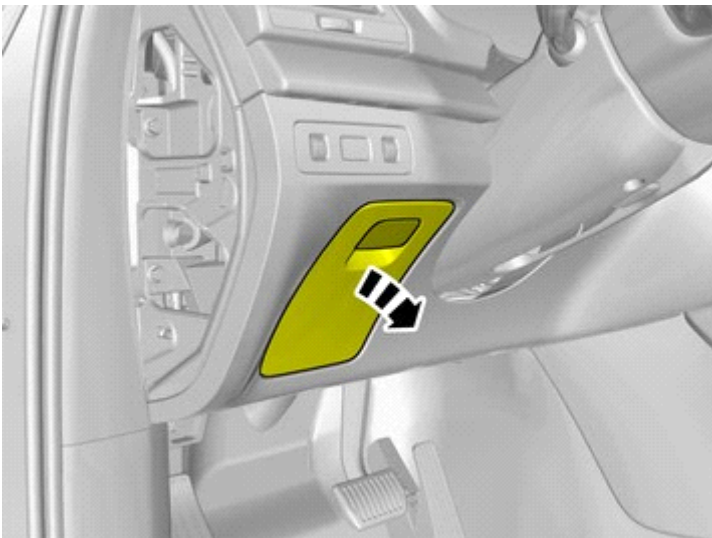
IMG-421272

Position/route the cable harness as illustrated.

Install the wiring harness.

Use a cable tie

186



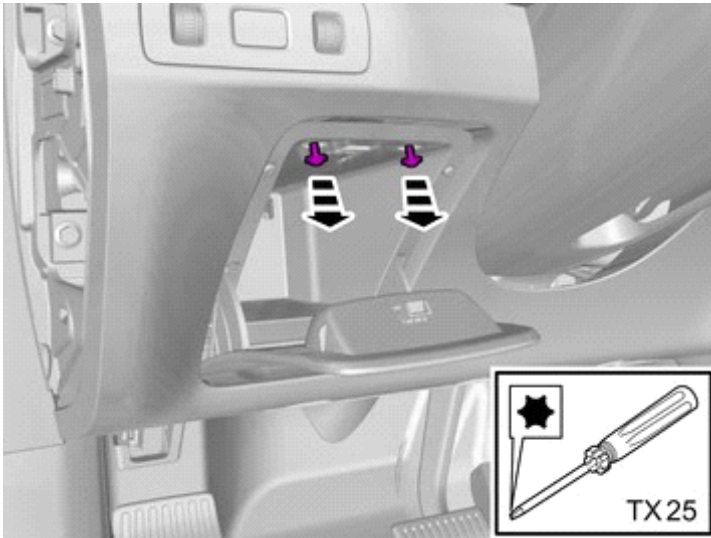
IMG-387085



Installation instructions, accessories

Volvo Car Corporation Gothenburg, Sweden

187



IMG-387086

Remove the screws.

188



IMG-403400

Note!

The graphic shows the back of the component before removal.

189



IMG-387107

Release the catch.

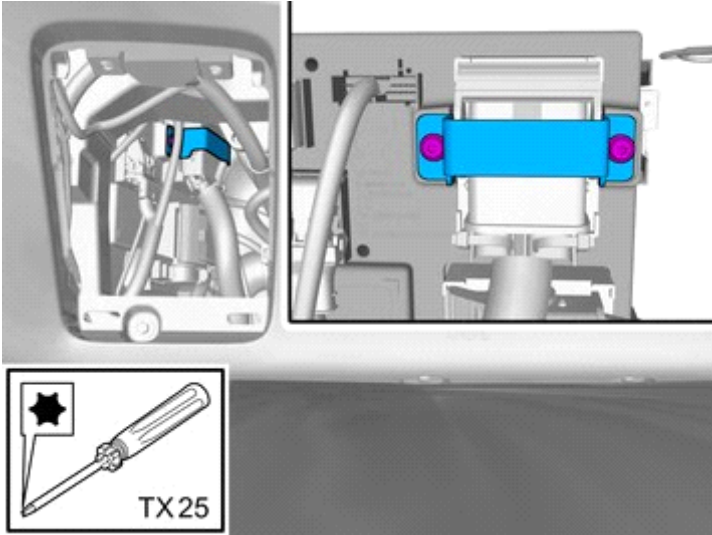
Remove the marked part.



Installation instructions, accessories

Volvo Car Corporation Gothenburg, Sweden

190

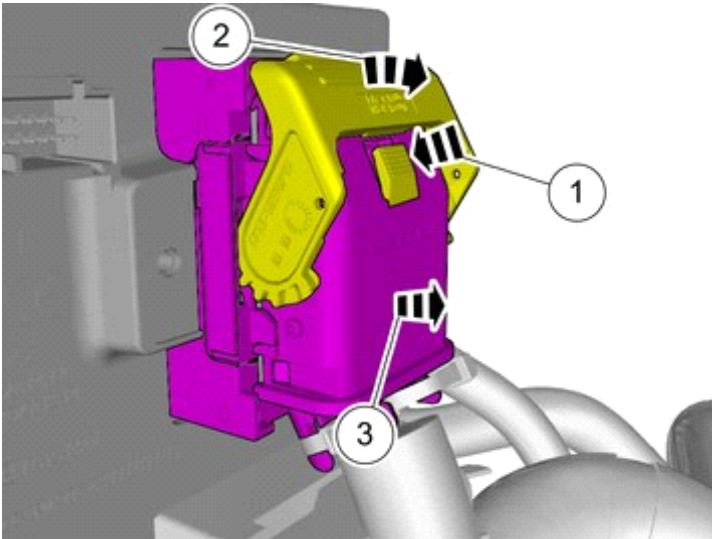


IMG-387123

Remove the screws.

Remove the marked part.

191



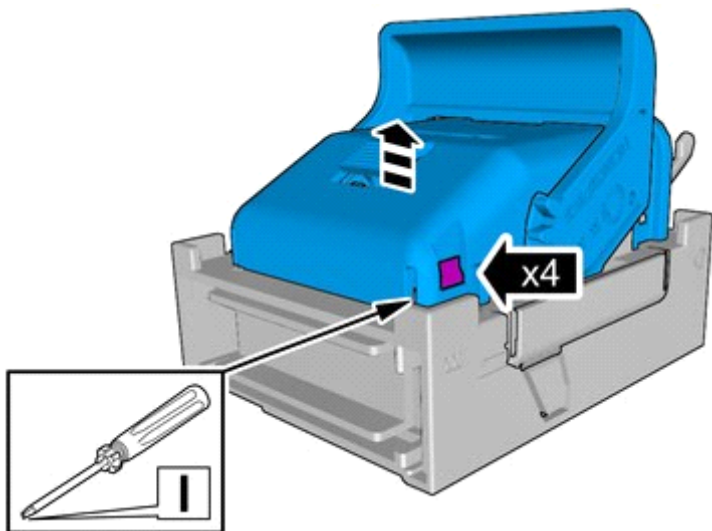
IMG-387398

Depress the locking device.

Release the connector's catch.

Disconnect the connector.

192



IMG-387423

Release the catches.

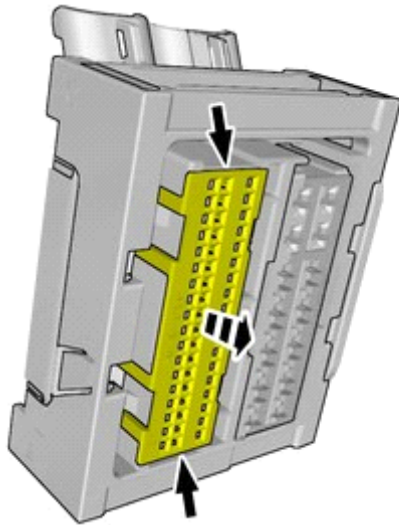
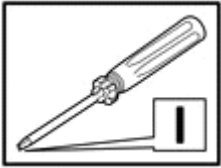
Remove the marked part.



Installation instructions, accessories

Volvo Car Corporation Gothenburg, Sweden

193



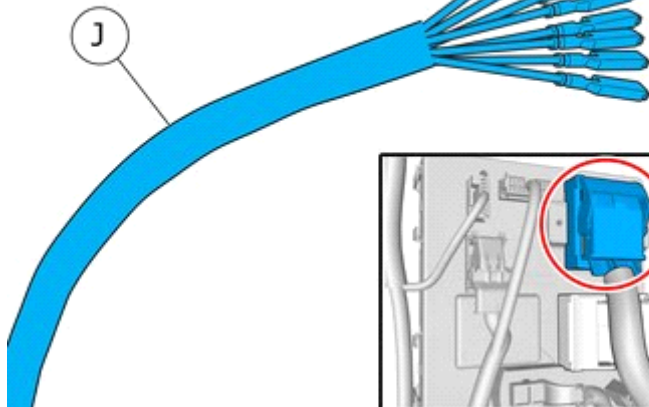
Release the connector's secondary lock.

Lift approximately 2 mm.

IMG-400415

194

FRONT HARNESS



Note!
Orientation view

IMG-421037

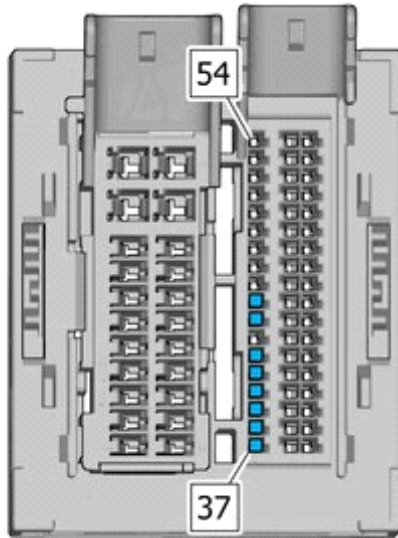


Installation instructions, accessories

Volvo Car Corporation Gothenburg, Sweden

195

- | | |
|------|-------|
| Pos. | |
| 37 | BU |
| 38 | YE-WH |
| 39 | WH-OG |
| 40 | VT-WH |
| 41 | WH-GN |
| 42 | GY-OG |
| | |
| 44 | BN-YE |
| 45 | BN-WH |

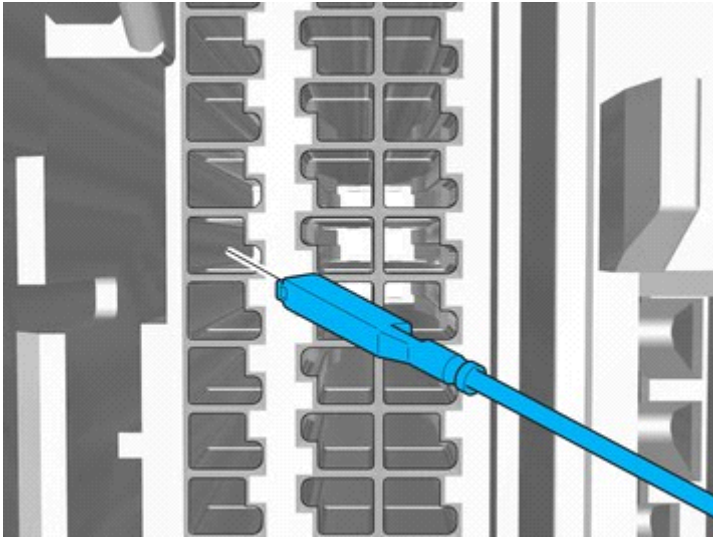


Connect the prerouted wiring harness.

- BN = Brown
- GN = Green
- GY = Grey
- OG = Orange
- WH = White
- YE = Yellow

IMG-387476

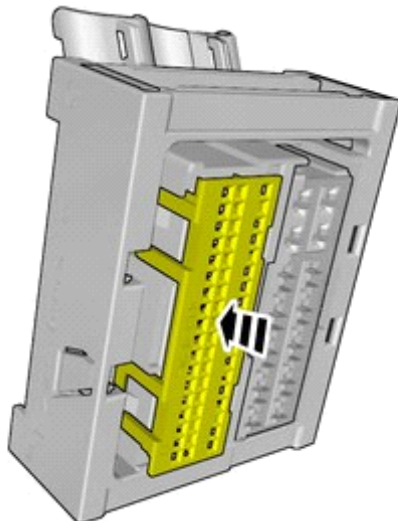
196



Note!
Note the position.

IMG-402395

197



Depress the secondary lock.

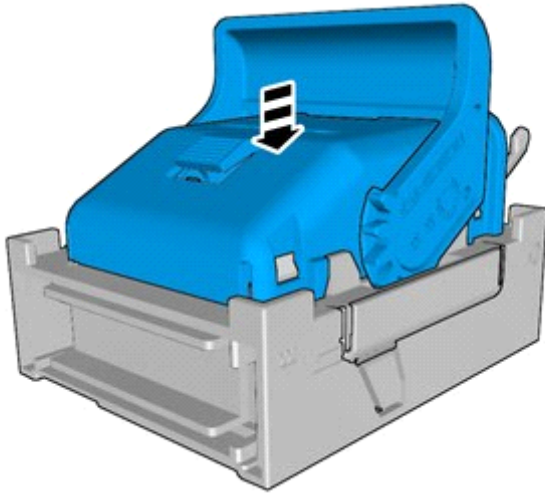
IMG-400383



Installation instructions, accessories

Volvo Car Corporation Gothenburg, Sweden

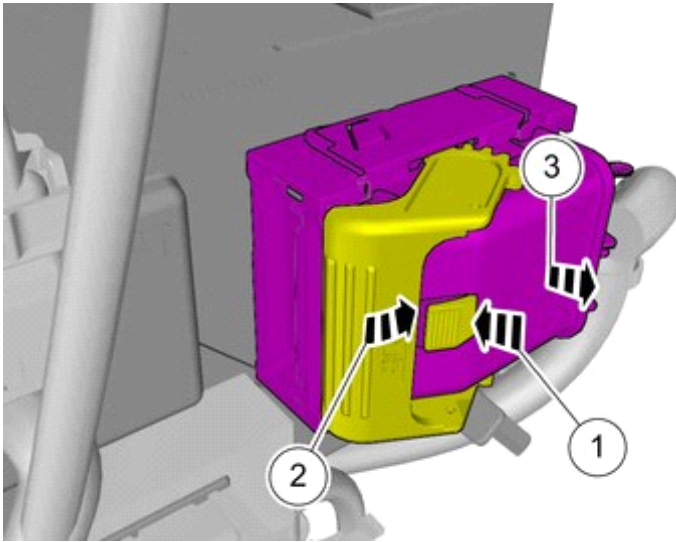
198



Reinstall the removed part.

IMG-387424

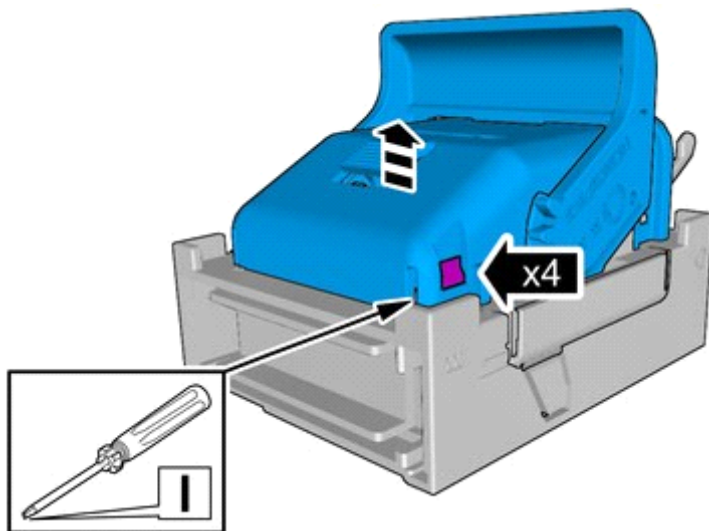
199



- Depress the locking device.
- Release the connector's catch.
- Disconnect the connector.

IMG-387415

200



Release the catches.

Remove the marked part.

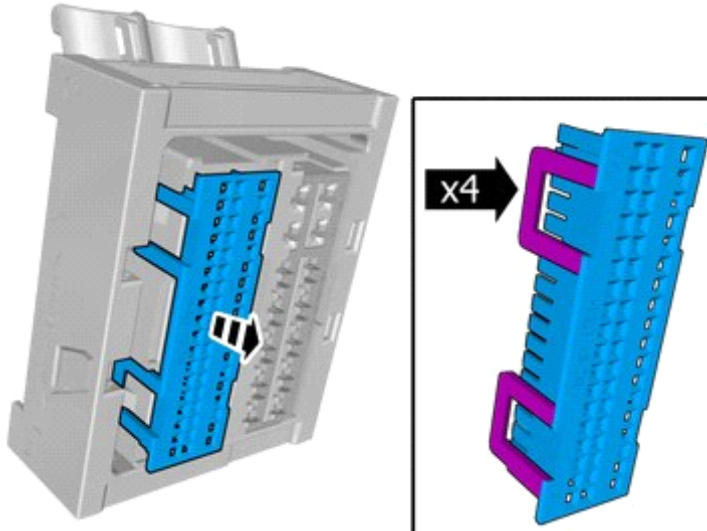
IMG-387423



Installation instructions, accessories

Volvo Car Corporation Gothenburg, Sweden

201

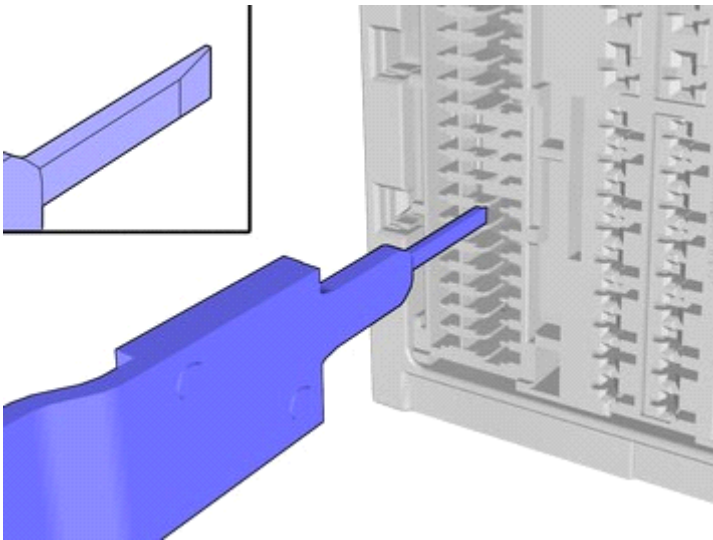


IMG-409615

Release the catches.

Remove the marked part.

202



IMG-409805

Use special tool: T9512632, Terminal removal tool (Color code: RED)

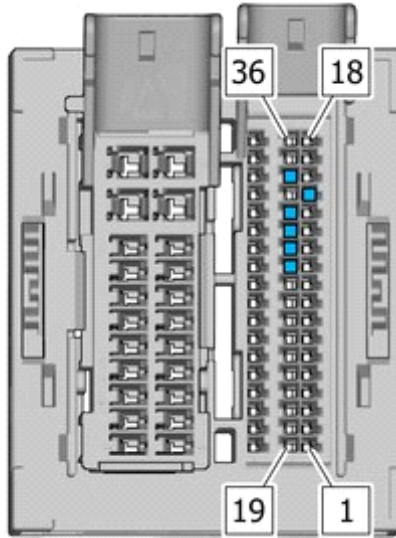


Installation instructions, accessories

Volvo Car Corporation Gothenburg, Sweden

203

- Pos. 15 BN-GY
- 29 GN-YE
- 30 WH-OG
- 31 GY-YE
- 32 YE-OG
- 34 BN-WH



Disconnect terminals from the connector, following the graphic.

BN = Brown

GN = Green

GY = Grey

OG = Orange

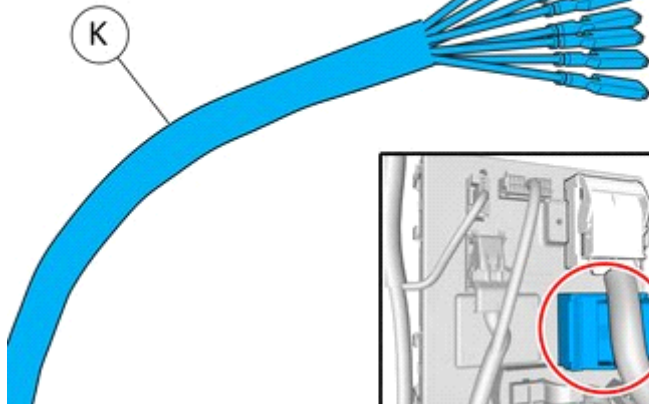
WH = White

YE = Yellow

IMG-409625

204

REAR HARNESS



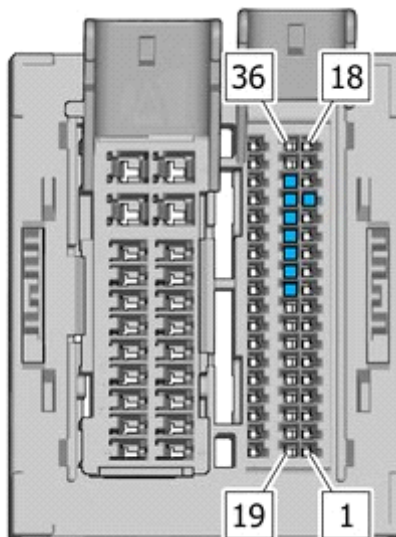
Note!

Orientation view

IMG-410553

205

- Pos. 15 BN-GY
- 28 GY-YE
- 29 YE-OG
- 30 BN-YE
- 31 GY-OG
- 32 GN-YE
- 33 WH-OG
- 34 BN-WH



Connect the prerouted wiring harness.

BN = Brown

GN = Green

GY = Grey

OG = Orange

WH = White

YE = Yellow

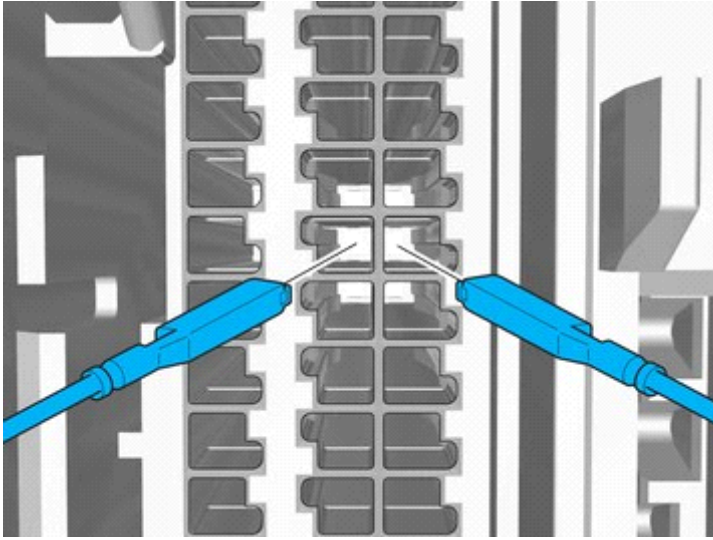
IMG-421039



Installation instructions, accessories

Volvo Car Corporation Gothenburg, Sweden

206

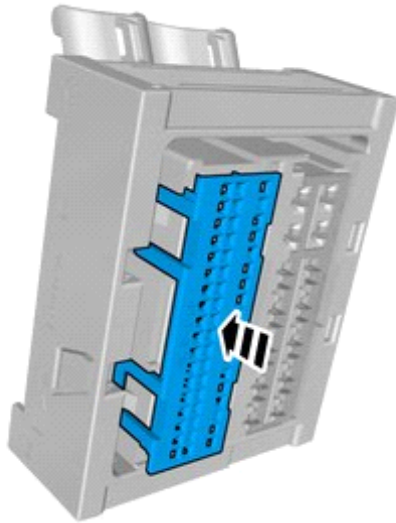


IMG-409561

Note!

Note the position.

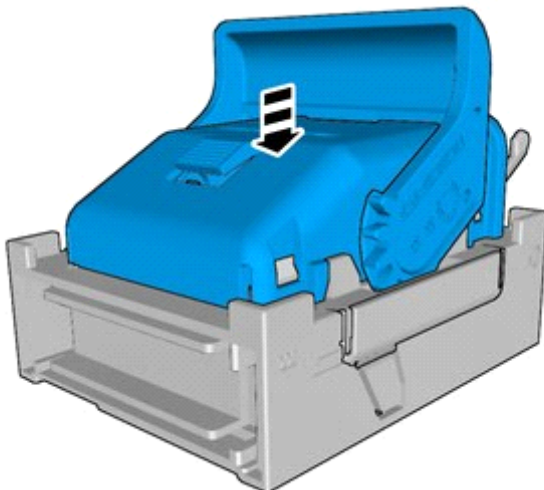
207



IMG-409626

Depress the secondary lock.

208



IMG-387424

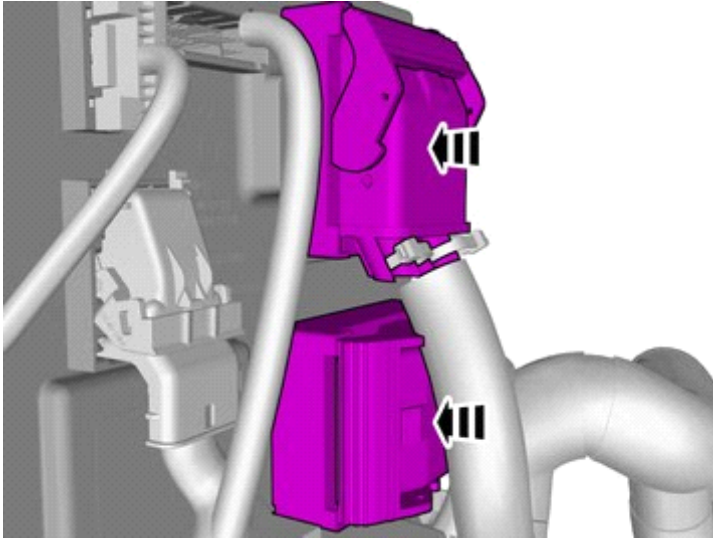
Reinstall the removed part.



Installation instructions, accessories

Volvo Car Corporation Gothenburg, Sweden

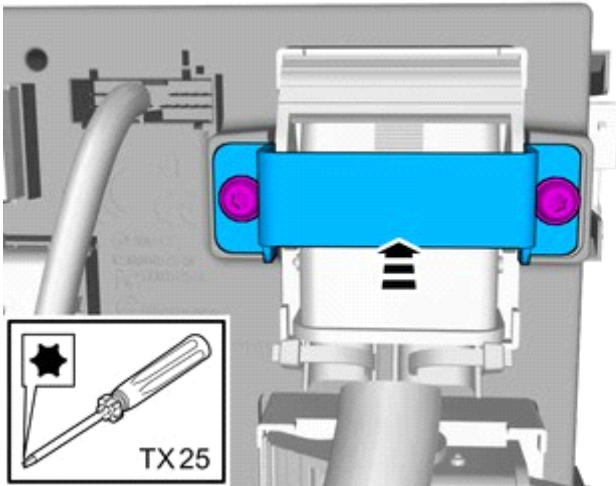
209



IMG-387144

Connect the connectors.

210



IMG-387145

Reinstall the removed part.

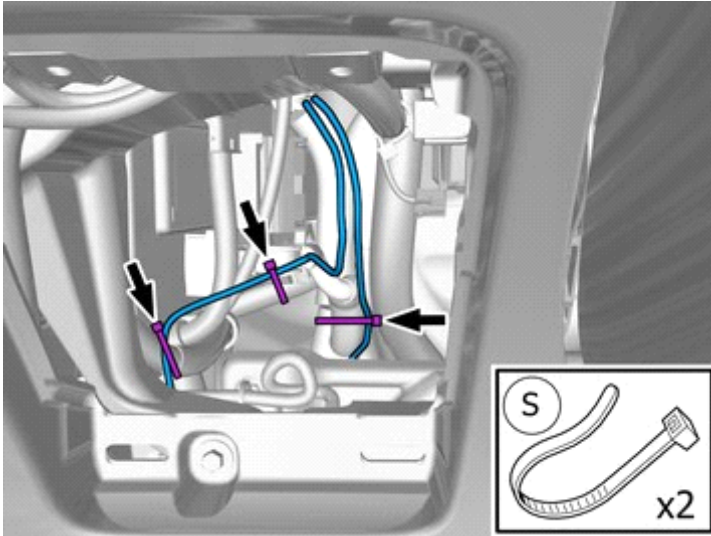
Reinstall the screws.



Installation instructions, accessories

Volvo Car Corporation Gothenburg, Sweden

211



IMG-421285

Install the cables.

Use a cable tie

212

VIDA

IMG-400005

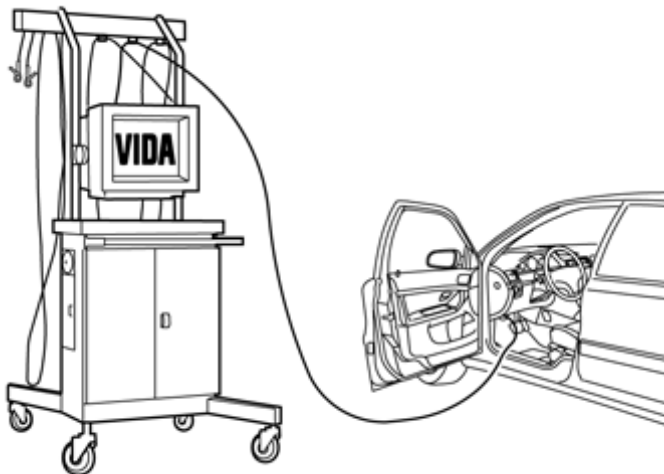
Caution!

A change to another tire size will cause changes in tire circumference. This will affect the Parking assistance pilot function.

Check that the tire dimension stated in the vehicle configuration, corresponds to the actual tire dimension of the vehicle.

If this does not correspond, download correct software.

213



IMG-242268

Download software (application) for the accessory's function according to the service information in VIDA. See VIDA or the accessories catalogue for software part number.



Installation instructions, accessories

Volvo Car Corporation Gothenburg, Sweden

Installation

214

Reinstall the removed parts in reverse order.

IMG-400000
